

SECTION 07-01 Transaxle, Automatic—AXODE (AX4S)

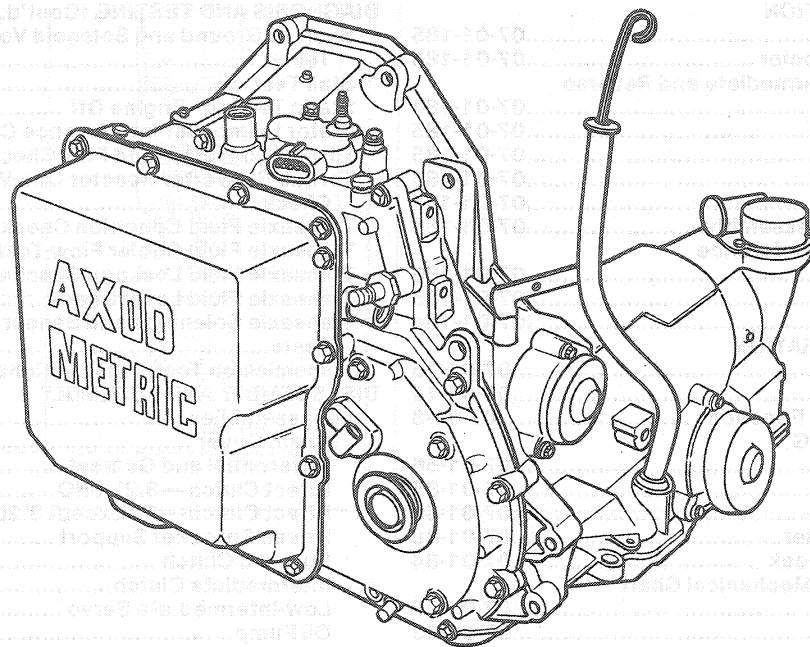
SUBJECT	PAGE	SUBJECT	PAGE
INSTALLATION		REMOVAL (Cont'd.)	
Oil Pump and Main Control Assembly	07-01-182	Transaxle	07-01-89
Transaxle	07-01-183	Transaxle Fluid Drain and Refill	07-01-88
PARTS CROSS-REFERENCE	07-01-189	SPECIAL SERVICE TOOLS	07-01-187
REMOVAL		SPECIFICATIONS	07-01-186
Oil Pump and Main Control Assembly	07-01-95	VEHICLE APPLICATION	07-01-2

VEHICLE APPLICATION

Taurus/Sable.

DESCRIPTION AND OPERATION

The AXODE (AX4S) automatic overdrive transaxle is a fully automatic transaxle with four forward speeds and REVERSE, NEUTRAL and PARK.



D8827-A

The AXODE (AX4S) has two planetary gearsets and a combination planetary / differential gearset. Four multiple plate clutches, two band assemblies and two one-way clutches act together for proper operation of the planetary gearsets.