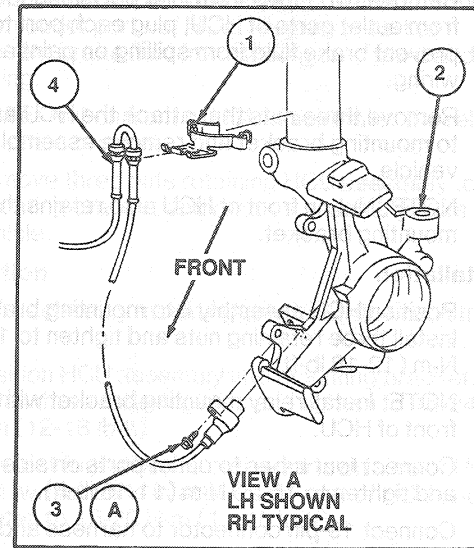
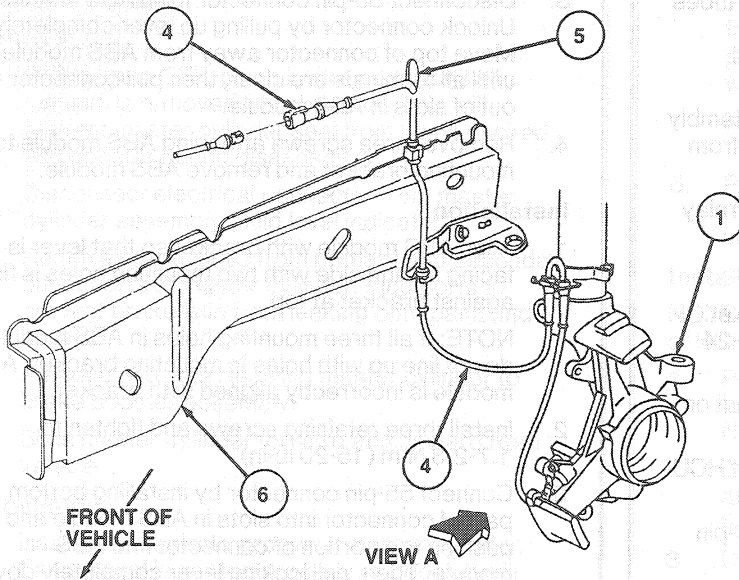


## REMOVAL AND INSTALLATION (Continued)



H7202-C

Item	Part Number	Description
1	2C194	Retainer Clip
2	3K170 RH 3K171 LH	Spindle Assy
3A	N805151-S100	Bolt

(Continued)

Item	Part Number	Description
4	2C204	Sensor Assy
5	—	Hole in Spring Tower LH Side Member
6	—	Tighten to 4.5-6.8 N·m (40-60 Lb·In)
A	—	

**Wheel Sensor, Rear****Sedan****Removal**

1. Remove rear seat and seat back insulation. Refer to Section 01-10.
2. Disconnect sensor from harness and tie one end of string or wire to sensor connector, and tie other end to rear seat sheet metal bracket.
3. Push sensor wire grommet and connector through floorpan, drawing string or wire with sensor connector.
4. Disconnect string or wire from the sensor from underneath vehicle.
5. Raise vehicle on hoist. Refer to Section 00-02.
6. Disconnect routing clips from suspension arms and remove sensor retaining bolts from rear brake adapters.

**Installation**

1. Insert rear wheel speed sensor into hole in adapter and install retaining bolt. Tighten to 4.6-6.8 N·m (40-60 lb-in).
2. Install sensor routing clips to suspension arms.
3. Attach string or wire to new sensor connector, then pull sensor connector through hole in floorpan using string or wire.

4. Install sensor wire grommet into hole in floorpan.
5. Remove string or wire and connect sensor to harness.
6. Install rear seat back.

**Station Wagon****Removal**

1. Raise vehicle on hoist. Refer to Section 00-02.
2. Remove sensor wire with attached grommet from hole in floorpan.
3. Disconnect sensor from harness.
4. Remove routing clips then remove sensor retaining bolt and sensor.

**Installation**

1. Install rear wheel speed sensor and retaining bolt. Tighten to 4.6-6.8 N·m (40-60 lb-in).
2. Route sensor harness and install clips.
3. Connect sensor to harness. Push through hole in floorpan and install grommet.
4. Lower vehicle.