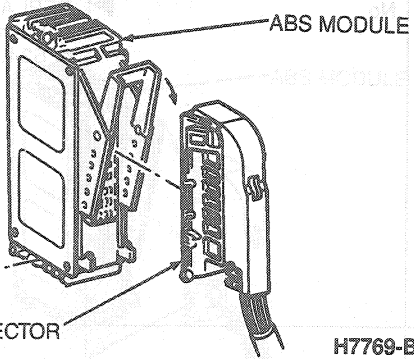
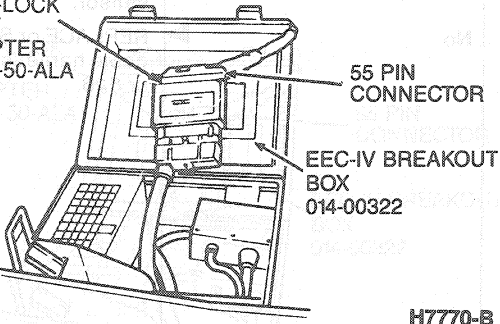
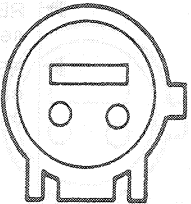


DIAGNOSTIC TESTS (A-J) (Continued)

PINPOINT TEST C: ANTI-LOCK WARNING INDICATOR ON AFTER VEHICLE STARTS TO MOVE OR FALSE CYCLING OF ANTI-LOCK SYSTEM

TEST STEP		RESULT	ACTION TO TAKE
C1	MEASURE LH FRONT SENSOR CIRCUIT RESISTANCE		
	<ul style="list-style-type: none"> Turn ignition switch to OFF position. Disconnect 55-pin connector from ABS module.  <p style="text-align: right;">H7769-B</p> <ul style="list-style-type: none"> Connect EEC-IV breakout box 014-00322 with Anti-Lock Test Adapter T90P-50-ALA or equivalent to the 55-pin connector on wiring harness.  <p style="text-align: right;">H7770-B</p> <ul style="list-style-type: none"> Set multi-meter to read resistance. Measure resistance between Pins 30 and 48. Is resistance between 800 and 1400 ohms? 	<p>Yes</p> <p>No</p>	<p>GO to C3.</p> <p>GO to C2.</p>
C2	CHECK LH FRONT SENSOR RESISTANCE		
	<ul style="list-style-type: none"> Disconnect LH front sensor plug. Measure resistance of sensor at sensor plug. Is resistance between 800 and 1400 ohms?  <p style="text-align: center;">LH FRONT SENSOR</p> <p style="text-align: right;">H7773-A</p>	<p>Yes</p> <p>No</p>	<p>SERVICE or REPLACE cable harness Circuit 521 or 522.</p> <p>REPLACE LH front sensor.</p>
C3	MEASURE RH FRONT SENSOR CIRCUIT RESISTANCE		
	<ul style="list-style-type: none"> Measure resistance between breakout box Pins 29 and 47. Is resistance between 800 and 1400 ohms? 	<p>Yes</p> <p>No</p>	<p>GO to C5.</p> <p>GO to C4.</p>