

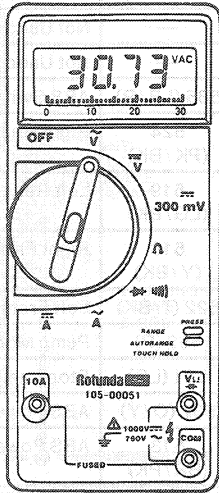
DIAGNOSTIC TESTS (A-J) *(Continued)*

*(Continued)*

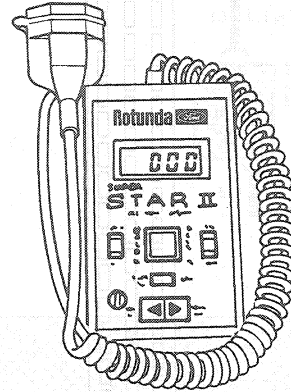
**Equipment Required**

- Anti-Lock Test Adapter T90P- 50-ALA.
- EEC-IV Breakout Box T83L-50-EEC-IV, Rotunda Breakout Box 014-00322 or equivalent.

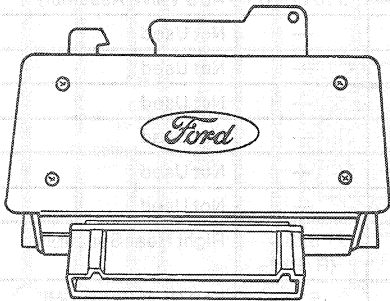
- Rotunda Digital / Analog Volt-Ohmmeter 007-00001 or equivalent.
- Rotunda SUPER STAR II Tester 007-0041B or equivalent.



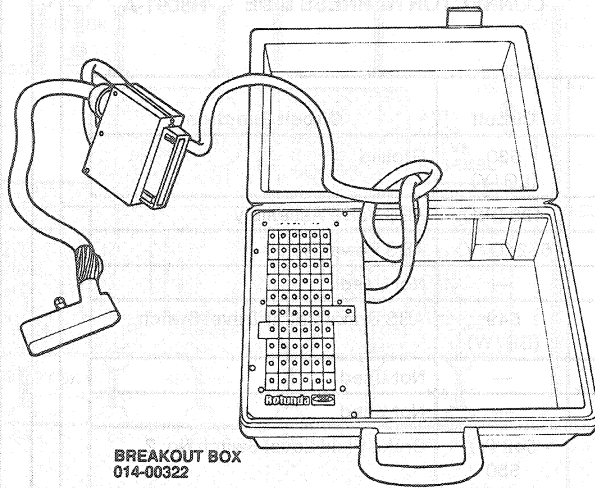
ROTUNDA DIGITAL/ANALOG VOLT-OHMMETER 105-00051



ROTUNDA SUPER STAR II TESTER 007-0041B



ANTI-LOCK TEST ADAPTER T90P-50-ALA



BREAKOUT BOX 014-00322

H6994-E

Refer to the wiring diagram when performing the Diagnostic Tests to locate wire circuits indicated in the tests. Each test is completely independent of the other tests and within each test are sequences that can identify a concern without requiring completion of the entire test procedure.