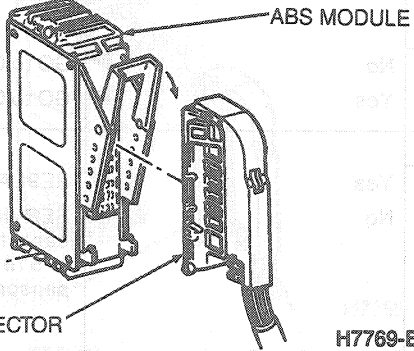
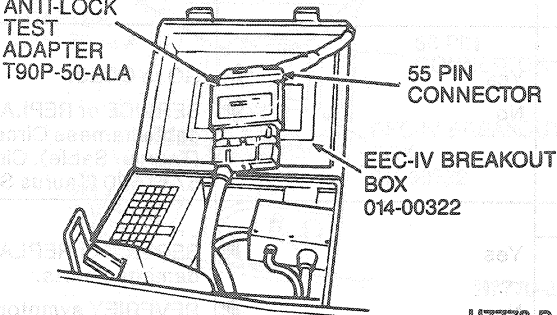
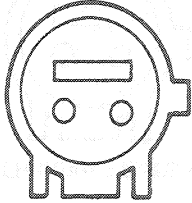


DIAGNOSIS AND TESTING (Continued)

**PINPOINT TEST DD:
WHEEL SENSOR DIAGNOSIS**

TEST STEP	RESULT	ACTION TO TAKE
<p>DD1 DTC 51 AND/OR 71: CHECK LH FRONT SENSOR CIRCUIT CONTINUITY</p> <ul style="list-style-type: none"> ● Turn ignition switch OFF. ● Disconnect 55-pin plug from ABS Module. ● Check for continuity between breakout box Pins 60 and 30. ● Is continuity present?  <p>ABS MODULE</p> <p>55 PIN CONNECTOR</p> <p>H7769-B</p> <ul style="list-style-type: none"> ● Connect EEC-IV breakout box, 014-00322 with Anti-Lock Test Adapter, T90P-50-ALA or equivalent to the anti-lock 55-pin plug harness.  <p>ANTI-LOCK TEST ADAPTER T90P-50-ALA</p> <p>55 PIN CONNECTOR</p> <p>EEC-IV BREAKOUT BOX 014-00322</p> <p>H7770-B</p>	<p>Yes</p> <p>No</p>	<p>▶ GO to DD2.</p> <p>▶ GO to DD3.</p>
<p>DD2 CHECK LH FRONT SENSOR CONTINUITY</p> <ul style="list-style-type: none"> ● Disconnect LH front wheel sensor plug. ● Check for continuity between each sensor plug pin (sensor side) and vehicle ground. ● Is continuity present?  <p>LH FRONT SENSOR</p> <p>H7773-A</p>	<p>Yes</p> <p>No</p>	<p>▶ REPLACE LH front sensor.</p> <p>▶ SERVICE or REPLACE cable harness Circuit 521 or 522. RECONNECT sensor plug.</p>