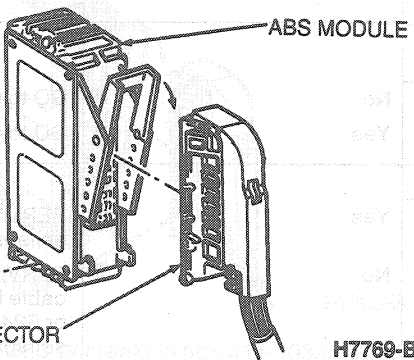
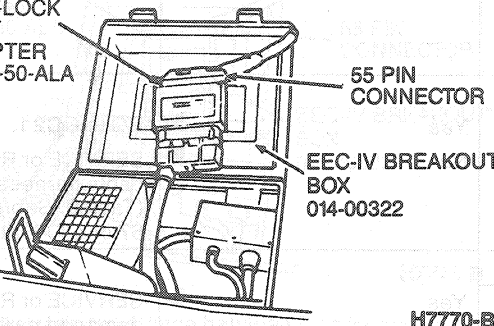
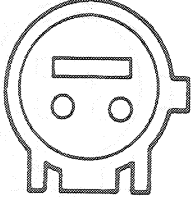


DIAGNOSIS AND TESTING (Continued)

(Continued)

**PINPOINT TEST CC:**  
**WHEEL SENSOR DIAGNOSIS (Continued)**

TEST STEP	RESULT	ACTION TO TAKE
<p><b>CC22</b> DTC'S 34, 38, 44, 58, 74 OR 78: CHECK LH REAR SENSOR</p> <ul style="list-style-type: none"> <li>● Turn ignition switch OFF.</li> <li>● Disconnect 55-pin connector from ABS module.</li> <li>● Measure resistance between Pins 28 and 46.</li> <li>● Is resistance between 800 and 1400 ohms?</li> </ul>  <p>ABS MODULE 55 PIN CONNECTOR H7769-B</p> <ul style="list-style-type: none"> <li>● Connect EEC-IV breakout box 014-00322 with Anti-Lock Test Adapter T90P-50-ALA or equivalent to the 55-pin connector on wiring harness.</li> </ul>  <p>ANTI-LOCK TEST ADAPTER T90P-50-ALA 55 PIN CONNECTOR EEC-IV BREAKOUT BOX 014-00322 H7770-B</p>	<p>Yes</p> <p>No</p>	<p>▶ GO to CC24.</p> <p>▶ GO to CC23.</p>
<p><b>CC23</b> CHECK LH REAR SENSOR RESISTANCE</p> <ul style="list-style-type: none"> <li>● Disconnect LH rear sensor plug.</li> <li>● Measure resistance of sensor at sensor plug.</li> <li>● Is resistance between 800 and 1400 ohms?</li> </ul>  <p>LH REAR SENSOR H7776-A</p>	<p>Yes</p> <p>No</p>	<p>▶ SERVICE or REPLACE cable harness Circuit 518 or 519.</p> <p>▶ REPLACE LH rear sensor.</p>