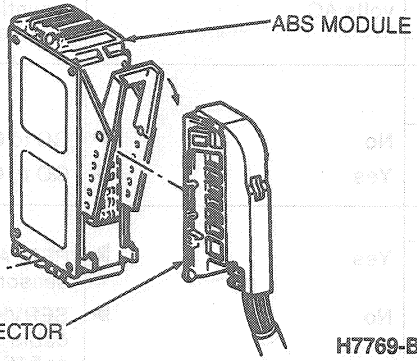
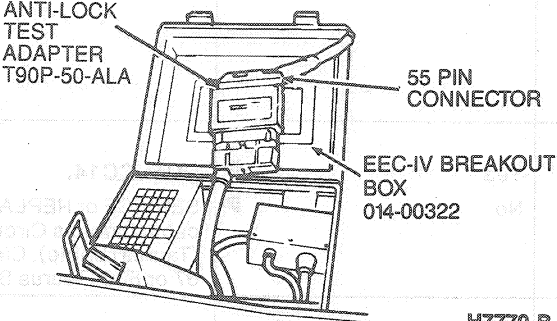
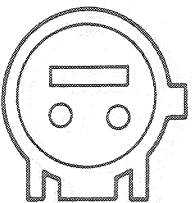


DIAGNOSIS AND TESTING (Continued)

DIAGNOSIS AND TESTING (Continued)

**PINPOINT TEST CC:**  
**WHEEL SENSOR DIAGNOSIS (Continued)**

TEST STEP	RESULT	ACTION TO TAKE
<b>CC15</b>	<b>DTC'S 33, 37, 43, 57, 73 OR 77:</b> <b>CHECK RH REAR SENSOR</b>	
<ul style="list-style-type: none"> <li>● Turn ignition switch OFF.</li> <li>● Disconnect 55-pin connector from ABS module.</li> </ul>  <p style="text-align: right;"><b>H7769-B</b></p> <ul style="list-style-type: none"> <li>● Connect EEC-IV breakout box 014-00322 with Anti-Lock Test Adapter T90P-50-ALA or equivalent to the 55-pin connector on wiring harness.</li> </ul>  <p style="text-align: right;"><b>H7770-B</b></p> <ul style="list-style-type: none"> <li>● Measure resistance between Pins 27 and 45.</li> <li>● Is resistance between 800 and 1400 ohms?</li> </ul>	<p>Yes</p> <p>No</p>	<p>▶ <b>GO to CC17.</b></p> <p>▶ <b>GO to CC16.</b></p>
<b>CC16</b>	<b>CHECK RH REAR SENSOR RESISTANCE</b>	
<ul style="list-style-type: none"> <li>● Disconnect RH rear sensor plug.</li> <li>● Measure resistance of sensor at sensor plug.</li> <li>● Is resistance between 800 and 1400 ohms?</li> </ul>  <p style="text-align: center;"><b>RH REAR SENSOR</b></p> <p style="text-align: right;"><b>H7775-A</b></p>	<p>Yes</p> <p>No</p>	<p>▶ <b>SERVICE or REPLACE cable harness Circuit 523 or 524.</b></p> <p>▶ <b>REPLACE RH rear sensor.</b></p>