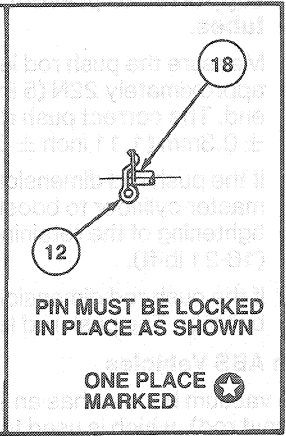
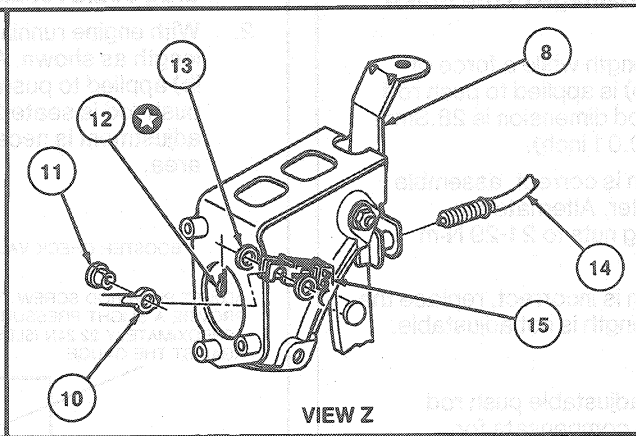
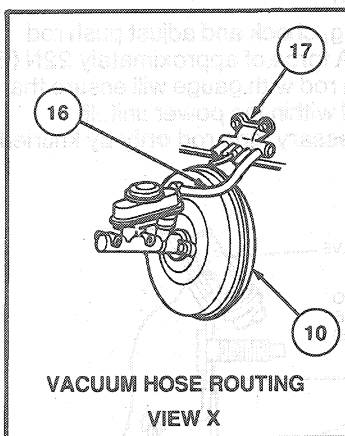
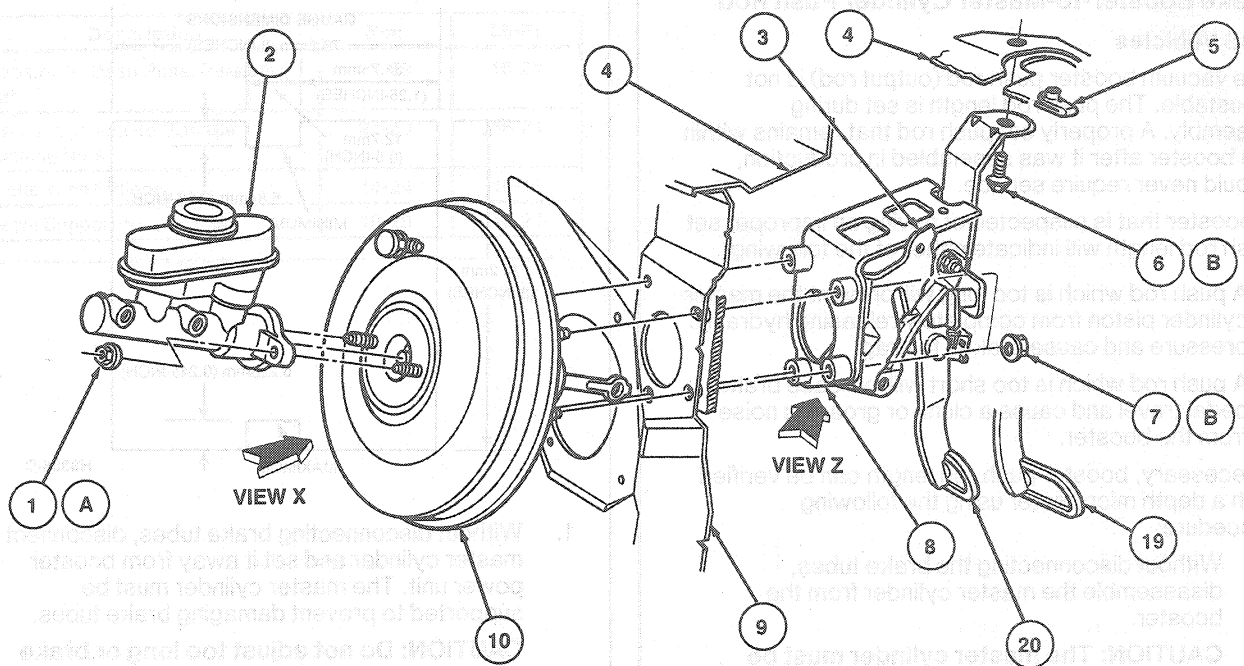


REMOVAL AND INSTALLATION (Continued)



H3981-H

Item	Part Number	Description
1A	382802-S191	Nut
2	2A032 (Sedan) 2C156 (Wagon)	Master Cylinder Assy
3	7B633	Assy (Clutch Controls Release—Manual Trans Only)
4	—	Cowl
5	N800538-S100	U-Nut
6B	N606689-S2	Bolt
7B	N620481-S2	Nut
8	2450	Assy
9	—	Dash Panel
10	2005	Booster Assy
11	2A309	Bushing

Item	Part Number	Description
12	380699-S100	Clip
13	2B129	Washer
14	—	Vacuum Tube
15	13480	Stoplamp Assy
16	381298-SX42A	Vacuum Hose to Check Valve
17	9C490	Vacuum Outlet Manifold
18	2455	Pedal Assy
19	—	Automatic Transmission
20	—	Manual Transmission
A		Tighten to 21-29 N·m (16-21 Lb-Ft)
B		Tighten to 16-29 N·m (12-21 Lb-Ft)

(Continued)

TH3981H