

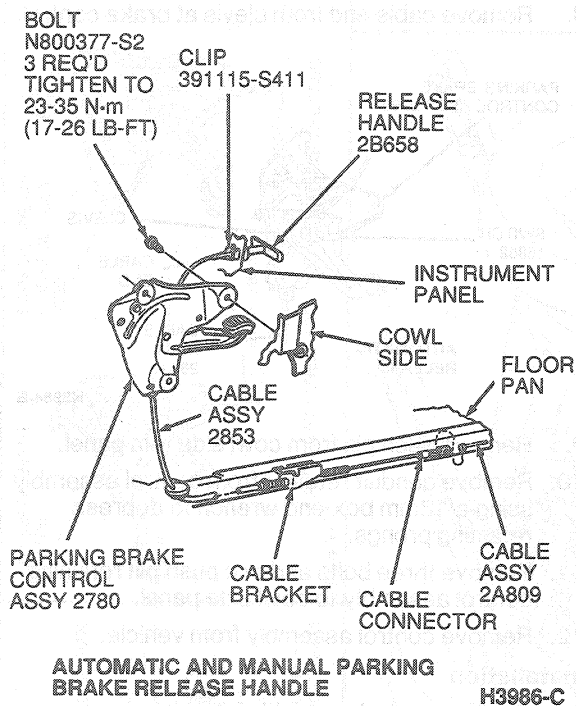
REMOVAL AND INSTALLATION (Continued)

4. Connect vacuum hose to vacuum release actuator, if so equipped.
5. Connect release cable to parking brake control release arm and install release cable grommet to parking brake control.
6. Connect wiring connector to parking brake warning indicator switch.
7. Raise vehicle. Refer to Section 00-02. Check parking brake operation and adjust as required. Lower vehicle.

Parking Brake Manual Release Handle and Cable Assembly

Removal

1. Disconnect release cable from parking brake control release arm and remove release cable grommet from parking brake control.
2. From under instrument panel, using a screwdriver, pry off and remove retainer clip securing cable and handle to instrument panel. Pull handle and cable assembly out of instrument panel.



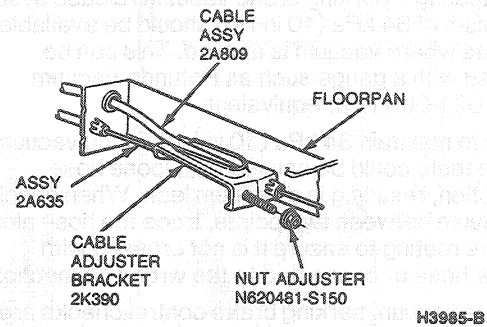
Installation

1. Start cable and handle assembly through locating hole in instrument panel and install retainer clip that secures handle to instrument panel.
2. Connect release cable to parking brake control release arm and install release cable grommet to parking brake control.

Cable, Front

Removal

1. Raise vehicle on hoist. Refer to Section 00-02.
2. Loosen adjuster nut at adjuster bracket.
3. Lower vehicle.
4. Disconnect cable from control assembly at clevis, using a 13mm box-end wrench to depress the conduit retaining prongs and remove cable end pronged fitting from brake control.
5. Remove LH cowl side panel and pull carpet back to expose cable.
6. Raise vehicle. Refer to Section 00-02.



7. Disconnect front cable from rear cable at cable connector.
8. Remove cable and push-in prong retainer from cable bracket, using a 13mm box-end wrench to depress retaining prongs.

