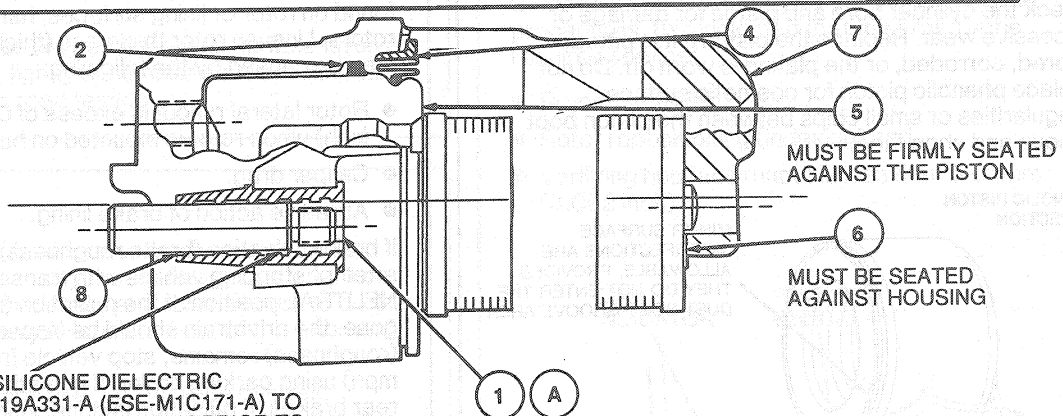
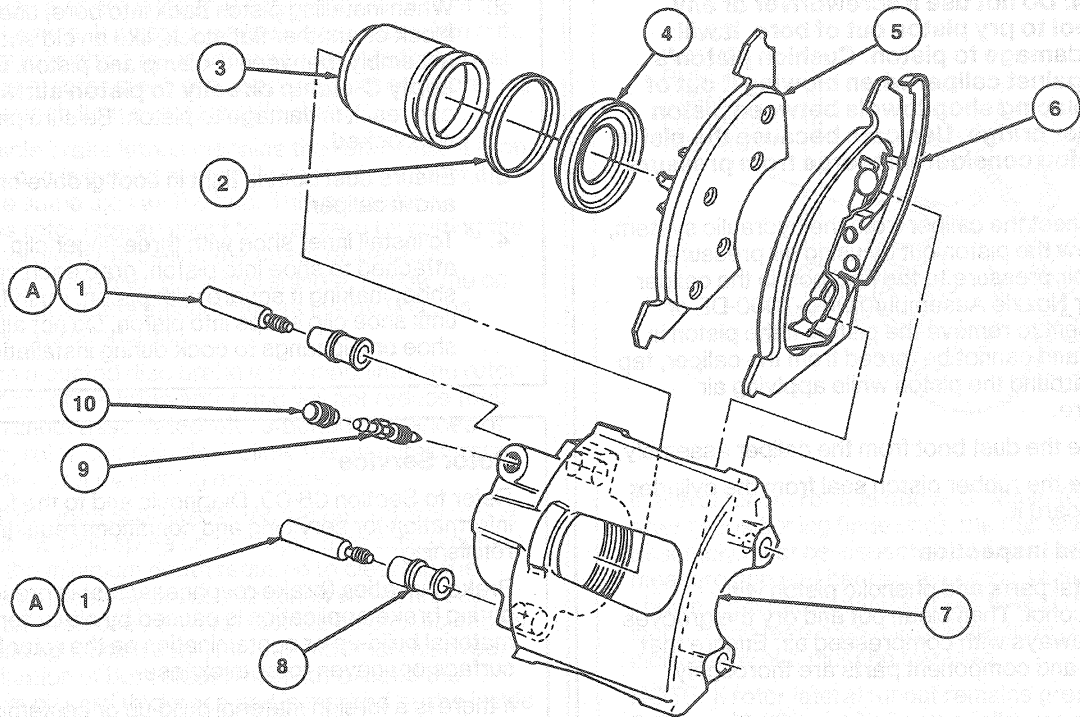


OVERHAUL (Continued)

OVERHAUL (Continued)



LUBRICATE WITH SILICONE DIELECTRIC COMPOUND D7AZ-19A331-A (ESE-M1C171-A) TO FILL THESE FOUR CAVITIES MINIMUM PRIOR TO ASSY OF PIN

H3653-F

Item	Part Number	Description
1A	2B296	Caliper Locating Pin
2	2B115	Piston Seal
3	2196	Piston
4	2207	Dust Boot
5	2019	Inner Shoe
6	2018 RH 2C088 LH	Outer Shoe

Item	Part Number	Description
7	2B302 LH 2B294 RH	Caliper Housing
8	2B299	Insulator
9	8M-2208	Bleeder Screw
10	26126	Dust Cap
A		Tighten to 24-34 N·m (18-25 Lb-Ft)

(Continued)

TH3653F