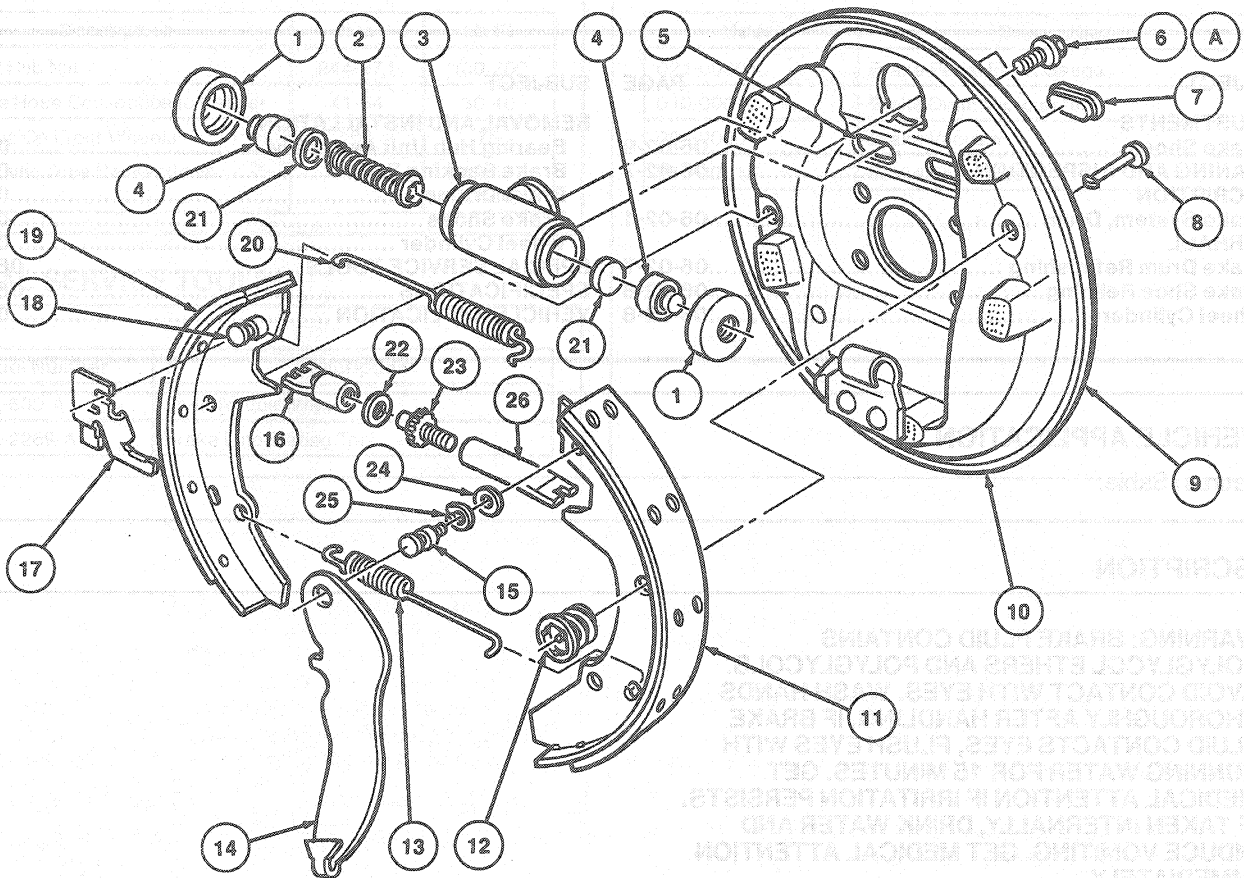


## DESCRIPTION (Continued)



H6386-D

| Item | Part Number            | Description                              |
|------|------------------------|--|
| 1    | —                      | Boot (Part of 2261)                      |
| 2    | —                      | Spring Expander (Part of 2261)           |
| 3    | 2261                   | Wheel Cylinder                           |
| 4    | —                      | Piston and Insert (Part of 2261)         |
| 5    | —                      | Shoe Adjustment Access Hole              |
| 6A   | N801327                | Wheel Cylinder Retaining Screw (2 Req'd) |
| 7    | 2092                   | Access Hole Cover                        |
| 8    | 2L265                  | Shoe Hold-Down Pin                       |
| 9    | 2212 (LH)<br>2211 (RH) | Backing Plate Assy                       |
| 10   | 2209 (RH)<br>2210 (LH) | Complete Brake Assy                      |
| 11   | 2200                   | Trailing Shoe and Lining                 |
| 12   | 2068                   | Shoe Hold-Down Spring Assy               |
| 13   | 2035                   | Lower Retracting Spring                  |

(Continued)

| Item | Part Number              | Description                          |
|------|--------------------------|--------------------------------------|
| 14   | 2A637 (RH)<br>2A638 (LH) | Parking Brake Lever                  |
| 15   | 2107                     | Parking Brake Lever Pin              |
| 16   | 2048                     | Adjuster Socket                      |
| 17   | 2A177 (LH)<br>2A176 (RH) | Adjuster Lever                       |
| 18   | 2107                     | Parking Brake Lever Pin              |
| 19   | 2W023 (RH)<br>2W024 (LH) | Leading Shoe and Lining              |
| 20   | 2049                     | Adjusting Screw Retracting Spring    |
| 21   | —                        | Cup (Part of 2261)                   |
| 22   | 384373-S                 | Washer                               |
| 23   | —                        | Adjusting Screw (Part of 2261)       |
| 24   | 356297-S2                | Washer                               |
| 25   | 2106                     | Parking Lever Retaining Clip         |
| 26   | —                        | Adjusting Pivot Nut (Part of 2048)   |
| A    |                          | Tighten to 12-18 N·m (106-159 Lb·in) |

TH6386D