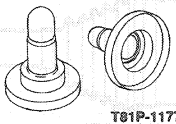
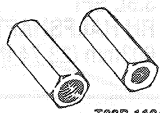
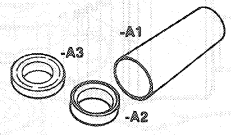
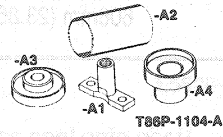
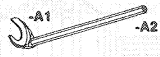



SPECIAL SERVICE TOOLS (Continued)

| Tool Number / Description | Illustration |
|----------------------------------------------------------------------------|---------------------------------------------------------------------------------------------------|
| T81P-1177-B Transaxle Plugs |  T81P-1177-B |
| T83P-1104-BH Metric Hub Remover Adapter |  T83P-1104-BH |
| T83T-3132-A1 Spindle / Axle Seal Installer |  T83T-3132-A |
| T86P-1104-A1 Metric Stud Adapter T86P-1104-A4 Dust Seal Installer |  T86P-1104-A |

(Continued)

| Tool Number / Description | Illustration |
|------------------------------------------------------------------------------------------------------------------|-----------------------------------------------------------------------------------------------------|
| T86P-3514-A Tool Set— Consists of: T86P-3514-A1 CV Joint Puller, T86P-3514-A2 CV Joint Puller Extension |  T86P-3514-A |
| T88P-20202-A Front Sensor Ring Remover/Replacer |  T88P-20202-A |

| Tool Number | Description |
|-------------|---------------------------|
| D79P-100-A | Impact Slide Hammer |
| D83P-4026-A | Halfshaft Remover |
| D84L-1123-A | Bearing Puller Attachment |
| D87P-1090-A | Boot Clamp Pliers |
| D87P-1096-A | Boot Clamp Pliers |