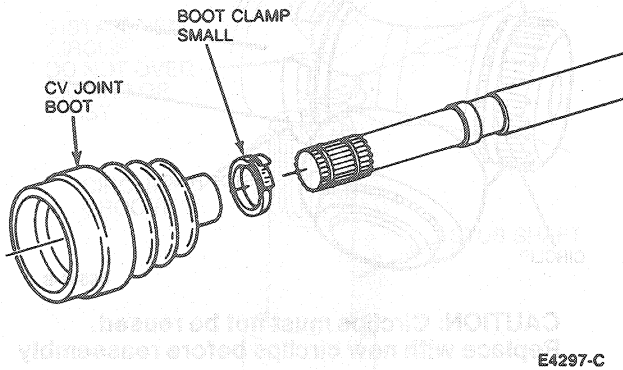
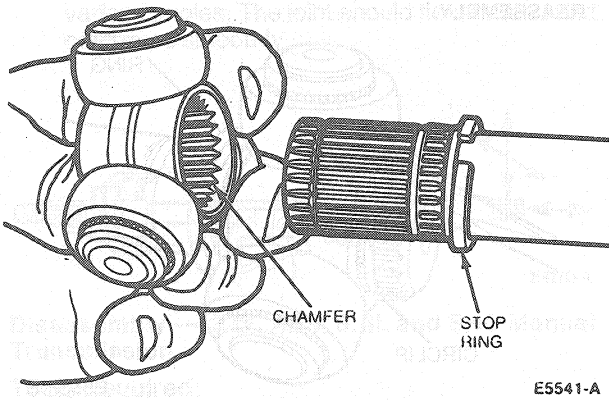


DISASSEMBLY AND ASSEMBLY (Continued)

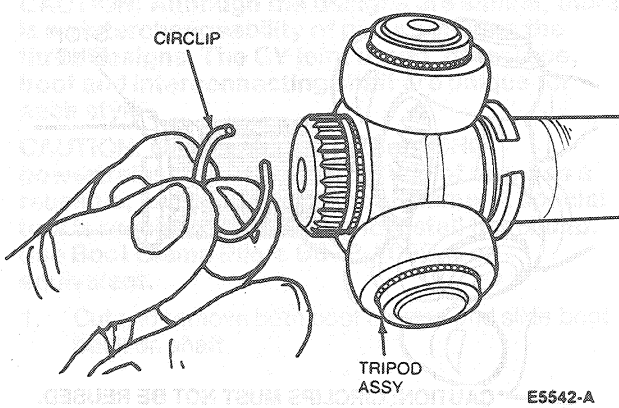
- 1. Install CV joint boot on shaft, if removed during disassembly. Ensure boot is seated in boot groove on shaft. Tighten clamp using Boot Clamp pliers.



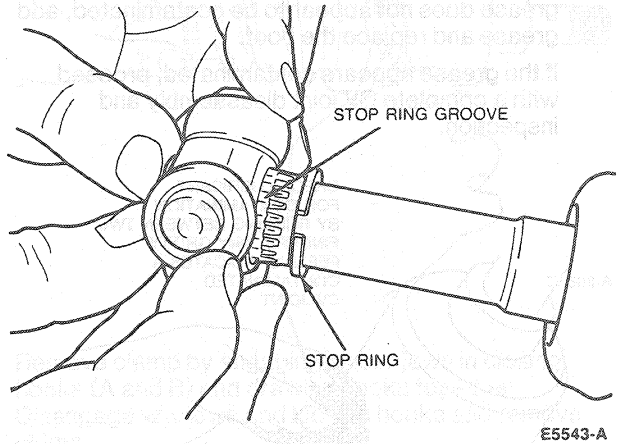
- 2. Install tripod assembly on shaft with chamfered side toward stop ring.



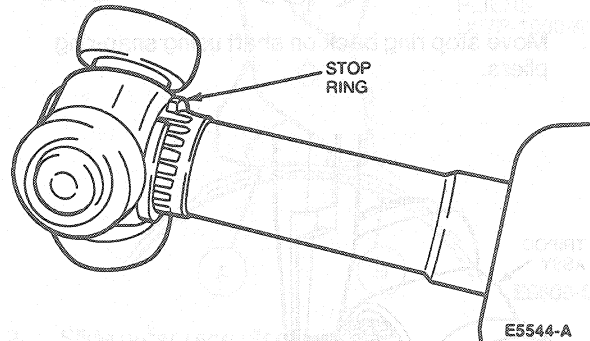
- 3. Install new circlip.



- 4. Compress circlip and slide tripod assembly forward over circlip to expose stop ring groove.



- 5. Move stop ring into groove using snap-ring pliers, making sure it is fully seated in groove.



- 6. Install trilobe insert over CV joint inner race and position on outer race.

