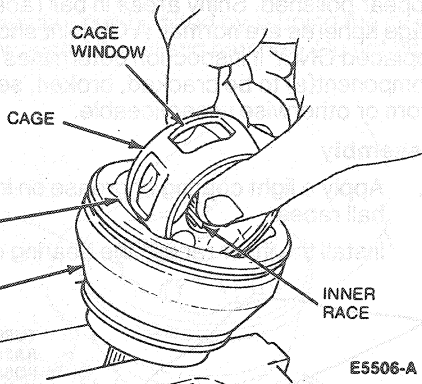


DISASSEMBLY AND ASSEMBLY (Continued)

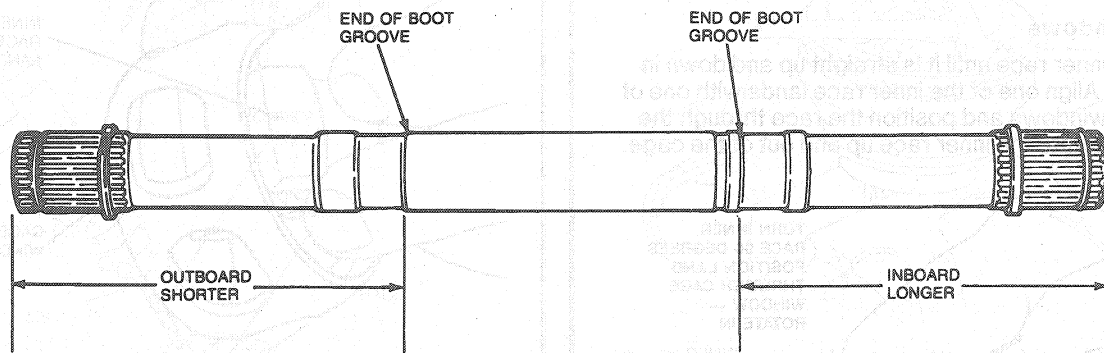
Repeat this Step until six balls are installed.

TO ASSEMBLE,
ALIGN OUTER
RACE LAND
AND CAGE
WINDOW



E5506-A

5. The LH and RH interconnecting shafts are not the same end for end. The outboard end is shorter from end of shaft to end of boot groove than the inboard end. Take a measurement to ensure correct inboard and outboard CV joint-to-shaft installation.

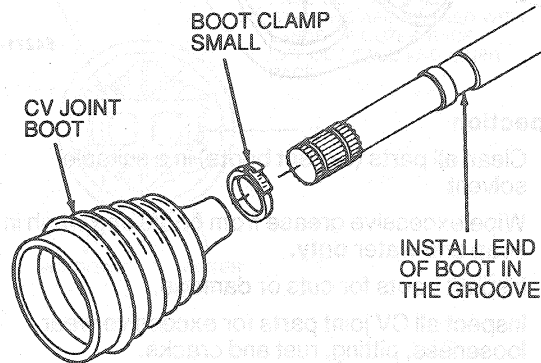


E4169-A

CAUTION: Tighten the clamp securely, but not to the point where the clamp bridge is cut or the boot is damaged.

6. If removed, install CV joint boot after removing stop ring.

Ensure the boot is seated in its groove and clamp in position using Boot Clamp Pliers D87P-1098-A or equivalent.



E5550-B