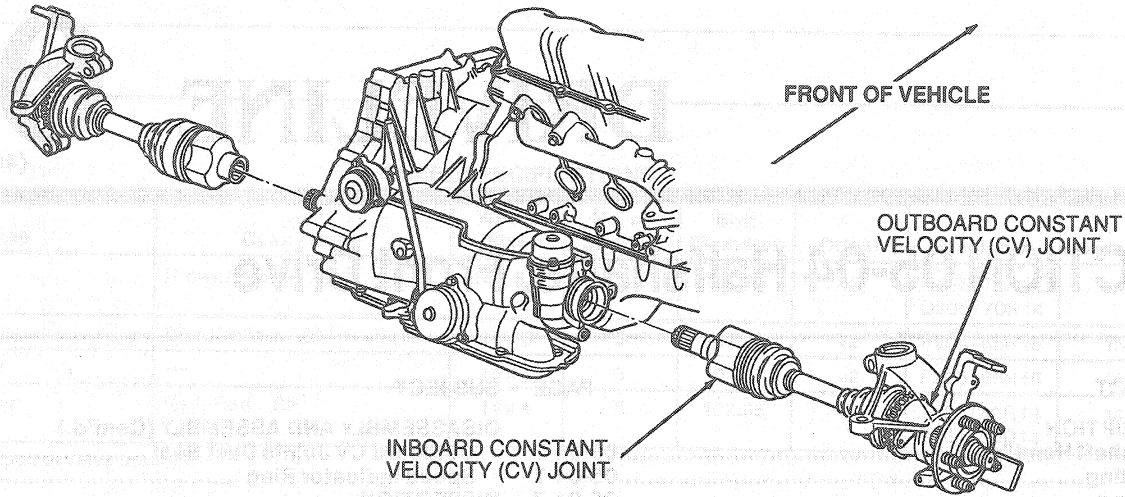


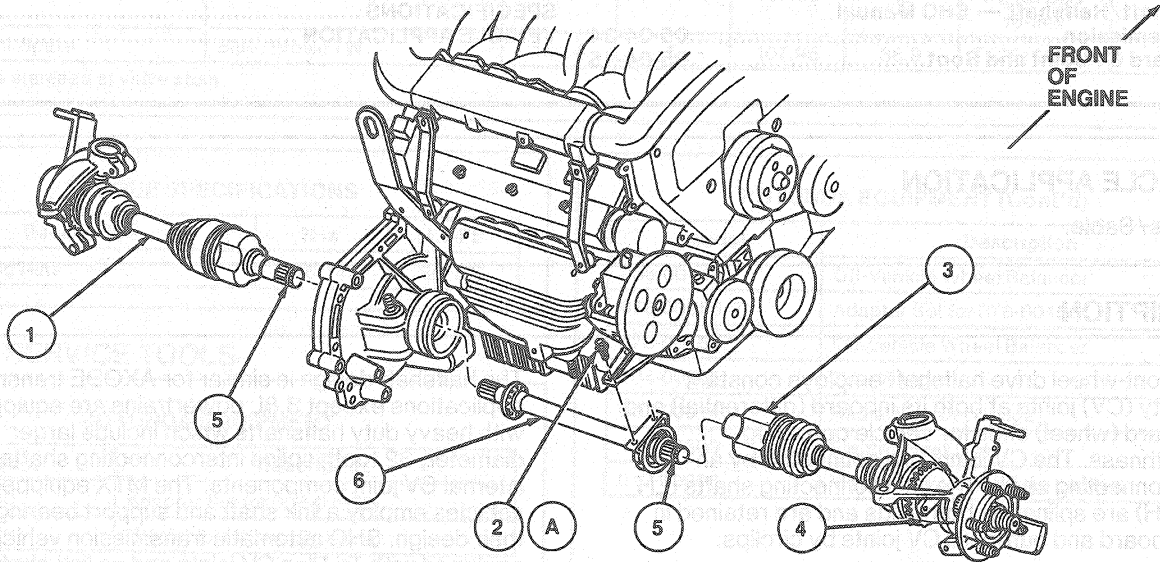
DESCRIPTION (Continued)

AXODE



E8284-A

MTX



E8285-A

Item	Part Number	Description
1	3B437	LH Halfshaft Assy
2A	N605904-S100	Bolt (2 Req'd)
3	—	RH Inboard CV Joint
4	—	RH Outboard CV Joint
5	—	Snap Rings (2 Req'd)
6	3C081	Link Shaft Assy
A		Tighten to 21-32 N·m (15.5-23 Lb·Ft)