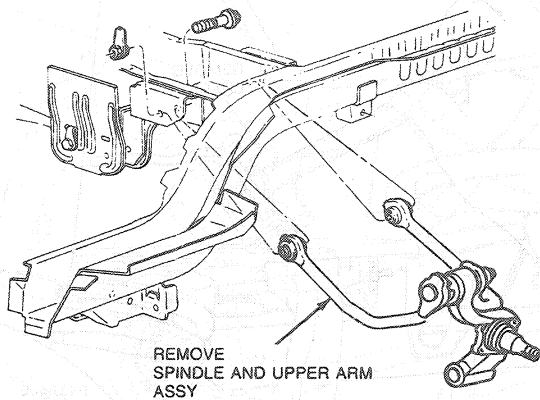


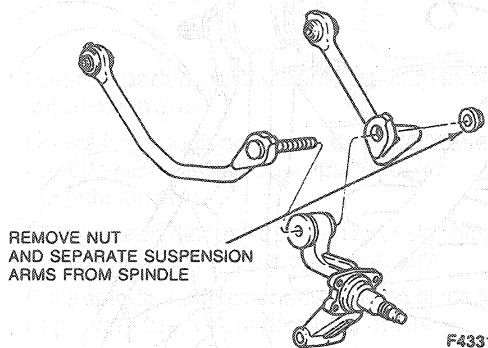
REMOVAL AND INSTALLATION (Continued)

- Remove spindle and upper suspension arms from vehicle as an assembly.



F4330-B

- Remove and discard nut attaching upper suspension arm to spindle and remove suspension arms from spindle.



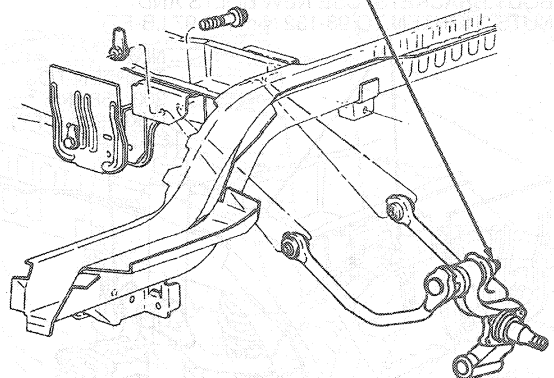
F4331-B

Installation

- Install upper suspension arms on spindle using a new nut. DO NOT tighten at this time.

REMOVAL AND INSTALLATION (Continued)

INSTALL UPPER SUSPENSION ARMS ON SPINDLE, USING A NEW NUT. TIGHTEN TO 203-258 N-m (150-190 LB-FT)



F4332-C

- Position spindle and suspension arm assembly on lower suspension arm. Install new bolt, washer, existing adjusting cam and a new nut. DO NOT tighten at this time.
- Position front and rear upper suspension arms to body bracket and install new bolts and nuts. DO NOT tighten at this time.
- Ensure that the lower suspension arm is supported so that the lower suspension arm is at normal curb height.
- Tighten the bolts attaching the front and rear upper suspension arms to body to 98-132 N-m (73-97 lb-ft).
- Tighten the nut attaching the upper suspension arms to spindle to 203-258 N-m (150-190 lb-ft).
- Tighten the nut attaching the spindle to lower suspension arm to 54-71 N-m (40-52 lb-ft).