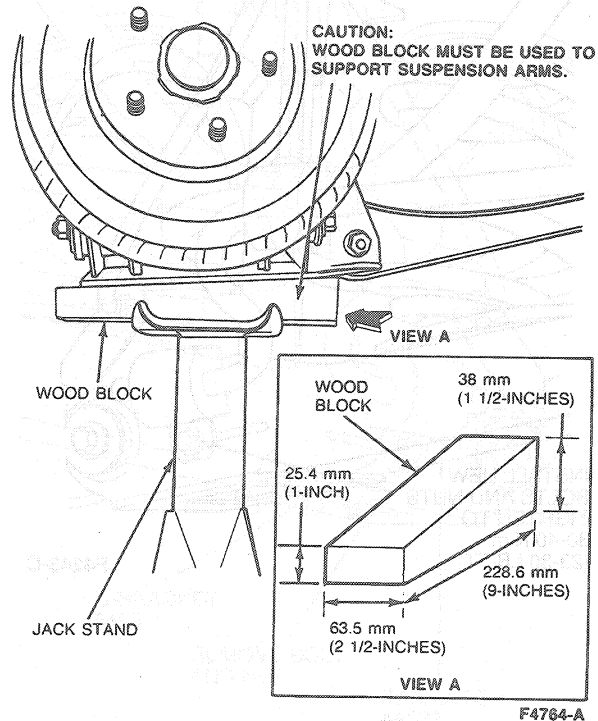


REMOVAL AND INSTALLATION (Continued)

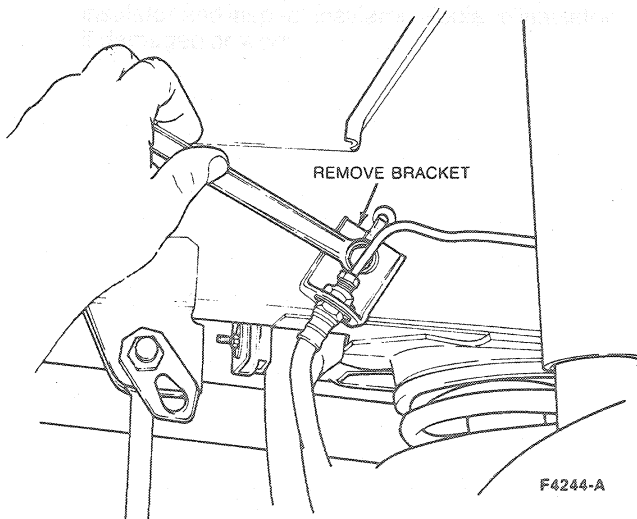
Suspension Arms, Upper Station Wagon

Removal

1. Raise vehicle on a hoist and place a jackstand and wood block under rear lower suspension arm to support it at normal curb height. Refer to Section 00-02.

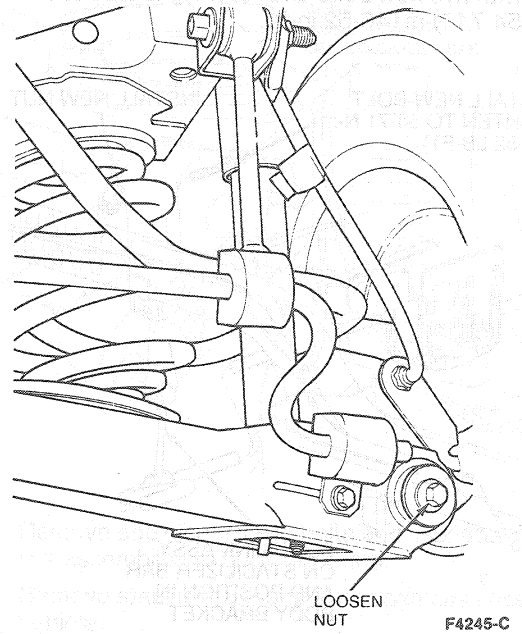


2. Remove wheel and tire assembly.
3. Remove brake line flexible hose bracket from body.



4. Loosen, do not remove, nut attaching spindle to upper arms.

5. Loosen, do not remove, nut attaching spindle to lower suspension arm.



6. Remove and discard bolts and nuts attaching front and rear upper suspension arms to body brackets. Make sure that spindle does not fall outward.
7. Carefully tilt top of spindle outward, allowing it to pivot on lower suspension arm retaining bolt until ends of the upper suspension arms are clear of the body bracket. Wire spindle to body in this position.
8. Remove and discard nut connecting upper suspension arms to spindle and remove arms from vehicle.

