

DESCRIPTION AND OPERATION (Continued)

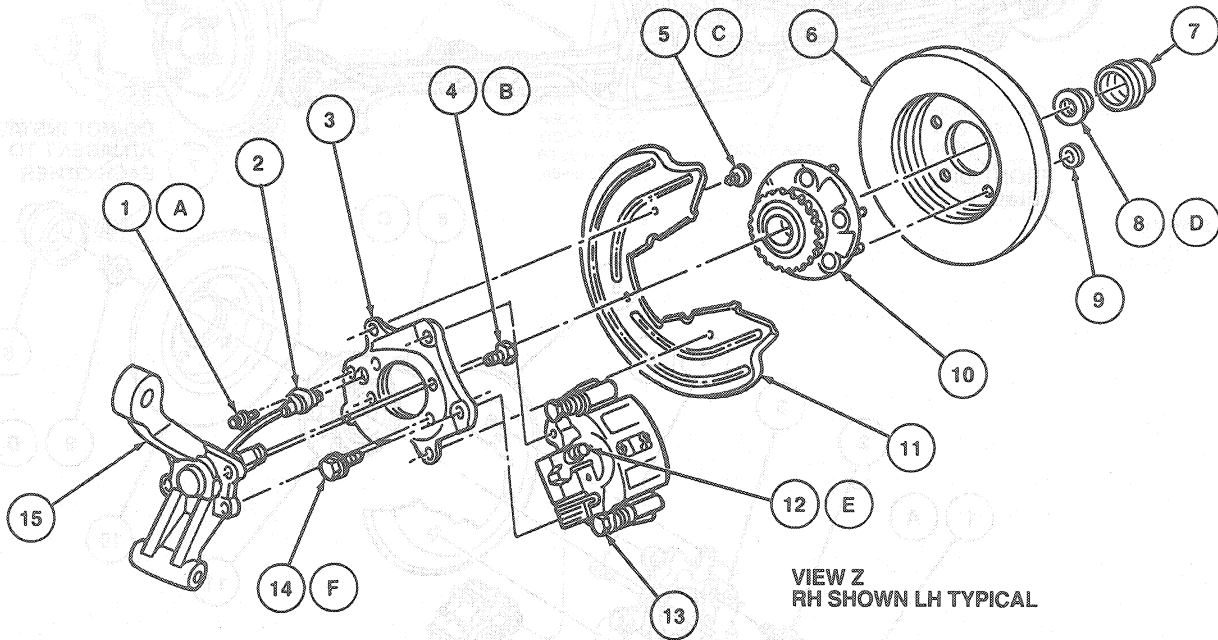
Item	Part Number	Description
C		Tighten to 8-12 N·m (6-9 Lb·Ft)
D		Tighten to 255-345 N·m (188-254 Lb·Ft)

Item	Part Number	Description
E		Tighten to 8-13 N·m (6-10 Lb·Ft)
F		Tighten to 87-119 N·m (64-88 Lb·Ft)

(Continued)

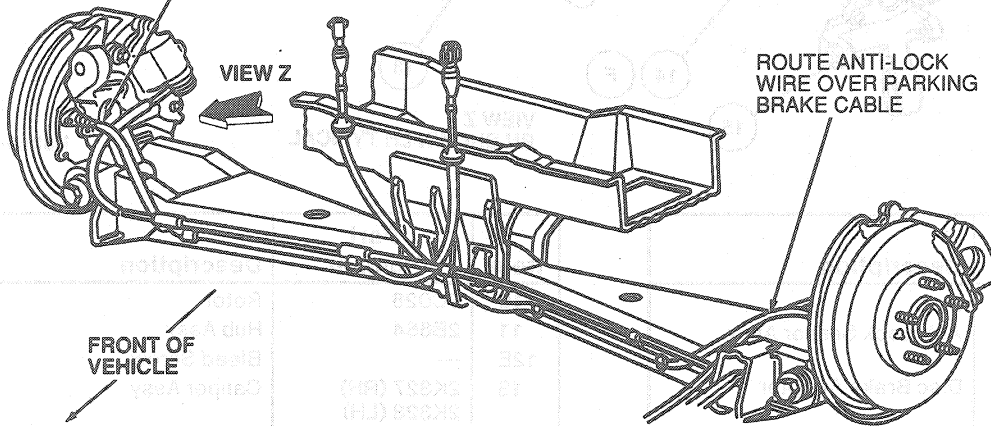
TH8046A

Station Wagon



ROUTE ANTI-LOCK WIRE OVER PARKING BRAKE CABLE

ROUTE ANTI-LOCK WIRE OVER PARKING BRAKE CABLE



FRONT OF VEHICLE

H8047-A