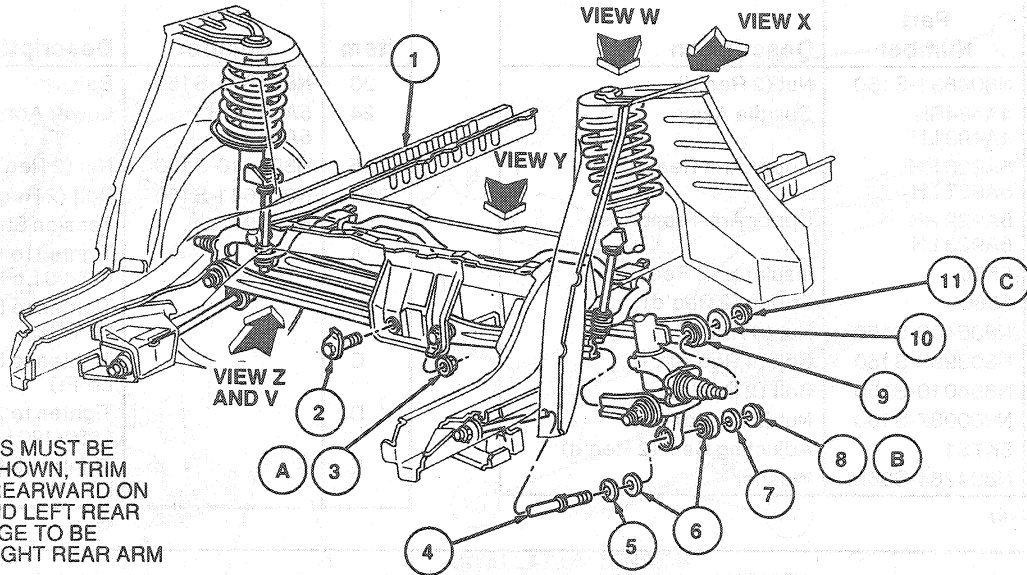
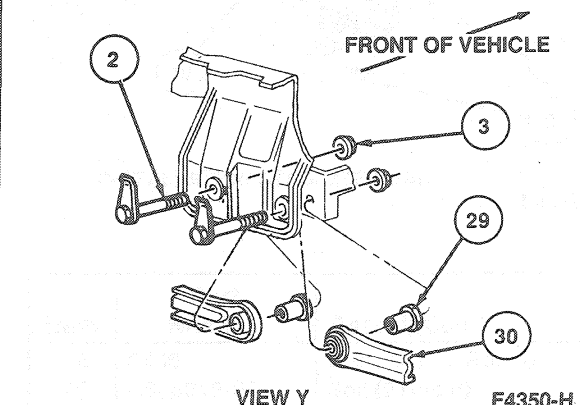
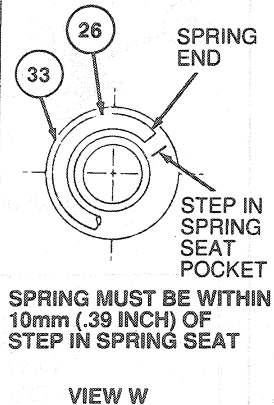
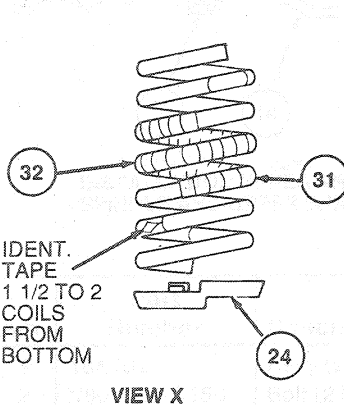
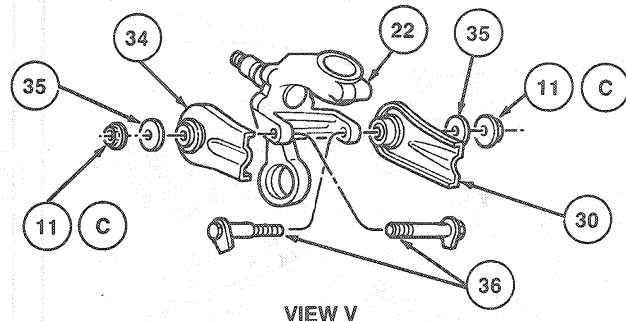
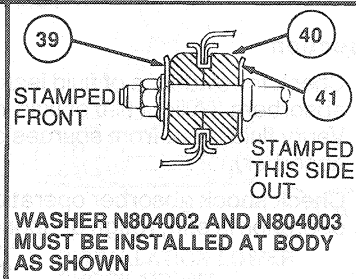
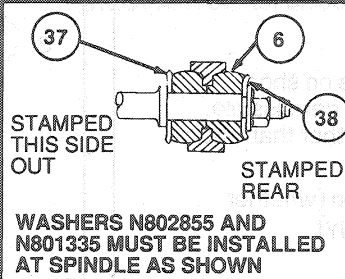
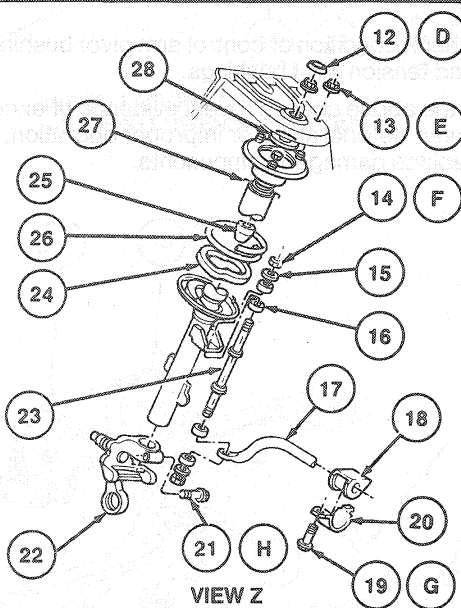


DESCRIPTION AND OPERATION (Continued)



ARM ASSEMBLIES MUST BE INSTALLED AS SHOWN, TRIM FLANGE TO BE REARWARD ON FRONT ARMS AND LEFT REAR ARM. TRIM FLANGE TO BE FORWARD ON RIGHT REAR ARM



F4350-H