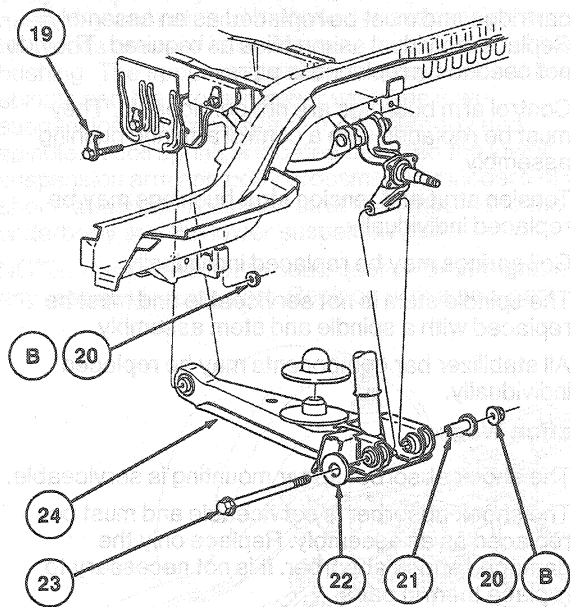
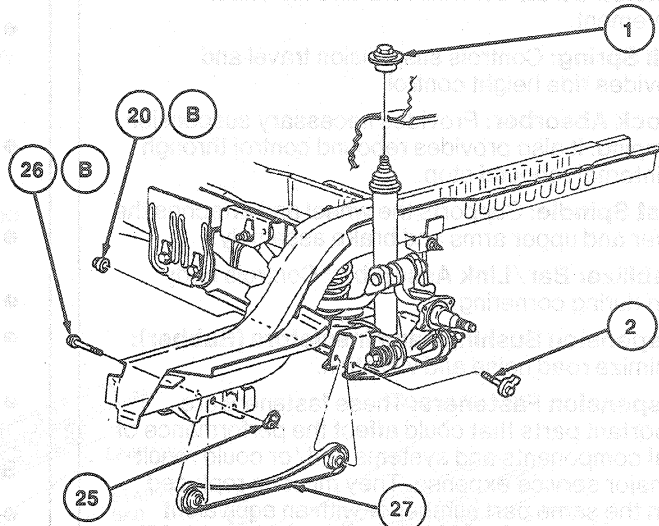


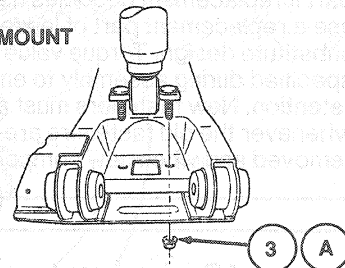
DESCRIPTION AND OPERATION (Continued)



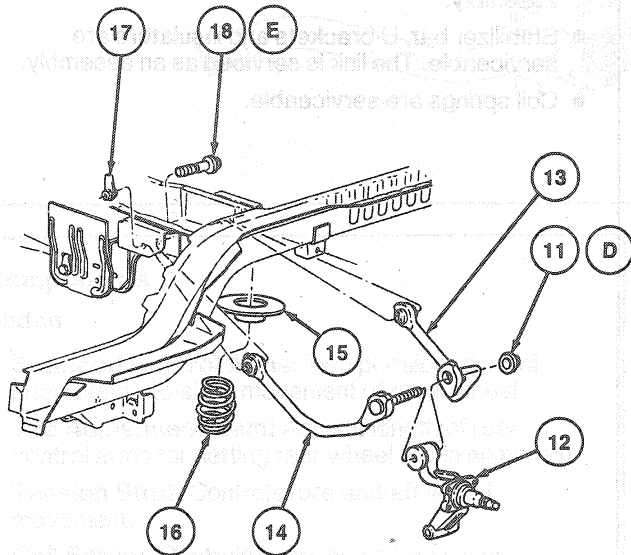
INSTALLATION LOWER ARM AND LOWER SPRING SEAT



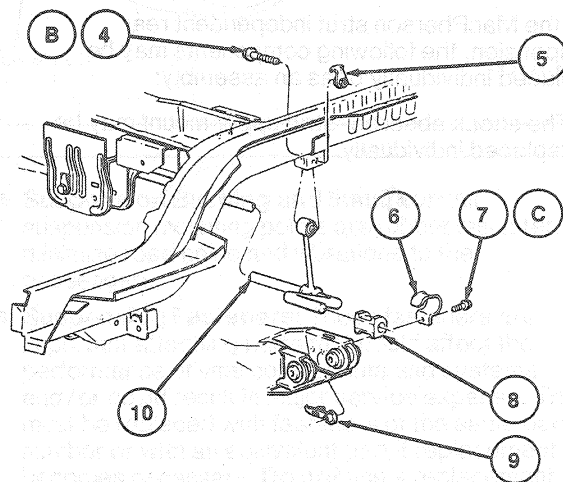
INSTALLATION TENSION STRUT AND UPPER SHOCK MOUNT



INSTALLATION LOWER SHOCK MOUNT



INSTALLATION UPPER ARM SPINDLE AND UPPER SPRING SEAT



INSTALLATION STABILIZER BAR

F4232-G

Item	Part Number	Description
1	18A192	Assy (2 Req'd)
2	N805219-S150	Bolt (2 Req'd)
3A	N620481-S101	Nut (4 Req'd)
4B	N804414-S150	Bolt (2 Req'd)
5	N804411-S150	Nut (2 Req'd)

(Continued)

Item	Part Number	Description
6	5486	U-Bracket (2 Req'd)
7C	N605919-S7	Bolt (2 Req'd)
8	4A037	Insulator (2 Req'd)
9	N804004-S161	Nut (2 Req'd)
10	5A771	Assy

(Continued)