
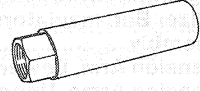
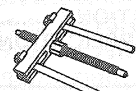

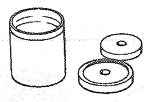
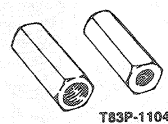
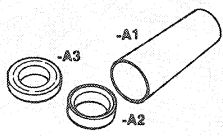
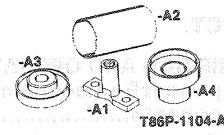
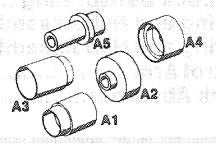


SPECIAL SERVICE TOOLS

Tool Number / Description	Illustration
T74P-3044-A1 C-Frame and Clamp	
T81P-1104-A Hub Remover/Installer Adapter	
T81P-1104-C Front Hub Remover/Installer	
T81P-3504-W Tie Rod Remover Adapter	
T83P-1104-AH2 Front Bearing Remover	
T83P-1104-BH1 Wheel Bolt Adapters	
T83T-3132-A1 Drive Tube	

(Continued)

Tool Number / Description	Illustration
T86P-1104-A1 Two Stud Adapter T86P-1104-A2 Front Bearing Spacer T86P-1104-A3 Bearing Installer T86P-1104-A4 Front Bearing Dust Seal Installer	
T86P-5493-A1 Insulator Installation Tool T86P-5493-A2 Bushing Removal/Insulator Installation Tool T86P-5493-A3 Bushing Removal Tool T86P-5493-A4 Bushing Installation Tool T86P-5493-A5 Insulator Removal Tool	

Tool Number	Description
D80L-1002-L	Front Hub Puller
D80L-625-1	Shaft Protector
D85P-7178-A	Universal MacPherson Strut Spring Compressor
TOOL-3290-D	Tie Rod End Remover

ROTUNDA EQUIPMENT

Model	Description
086-00029	Spring Compressor

Station Rotation

The station rotation procedure is used to rotate the front suspension components to the correct angle. This is done by using a station rotation tool. The station rotation tool is used to rotate the front suspension components to the correct angle. This is done by using a station rotation tool.