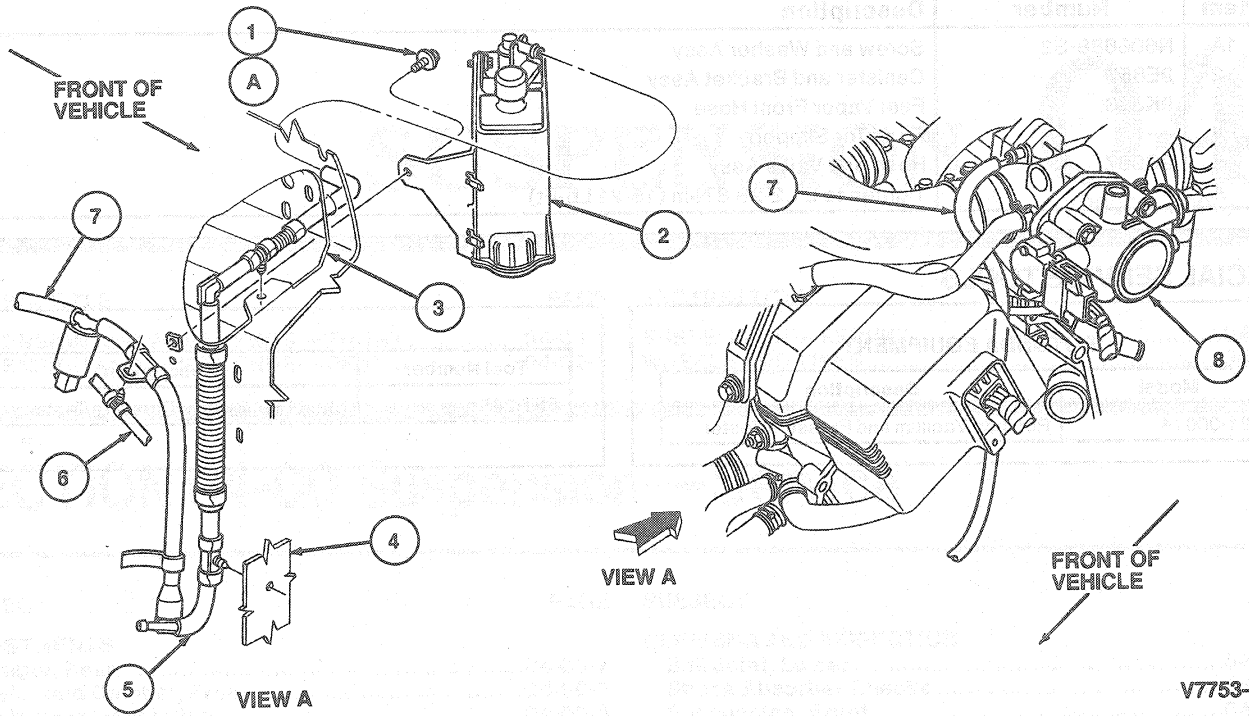


REMOVAL AND INSTALLATION (Continued)

Evaporative Emission System, 3.2L SHO



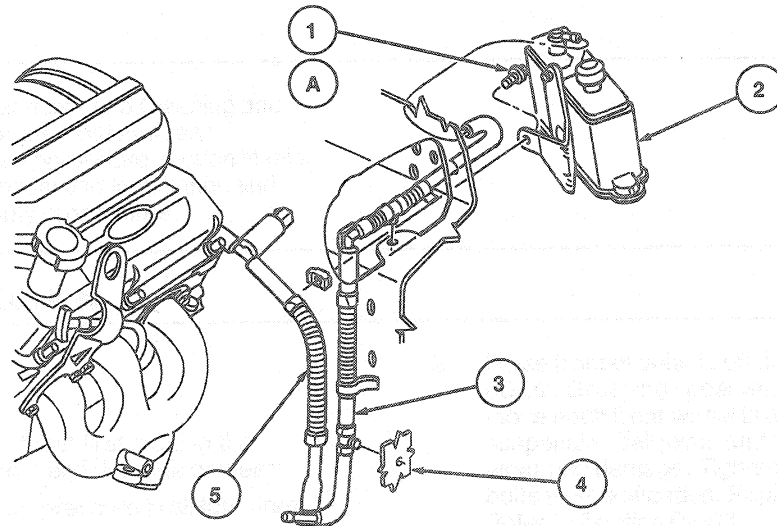
V7753-A

Item	Part Number	Description
1A	N606689-S2	Screw and Washer Assy
2	9E857	Canister and Bracket Assy
3	—	LH Headlamp Opening
4	—	Radiator Support

(Continued)

Item	Part Number	Description
5	9K313	Fuel Vapor Front Hose
6	—	Battery Cable
7	9C987	Hose and Valve Assy
8	9E926	Throttle Body
A		Tighten to 21.2-28.8 N·m (15-21 Lb·Ft)

Evaporative Emission System, 3.8L



V7756-A