

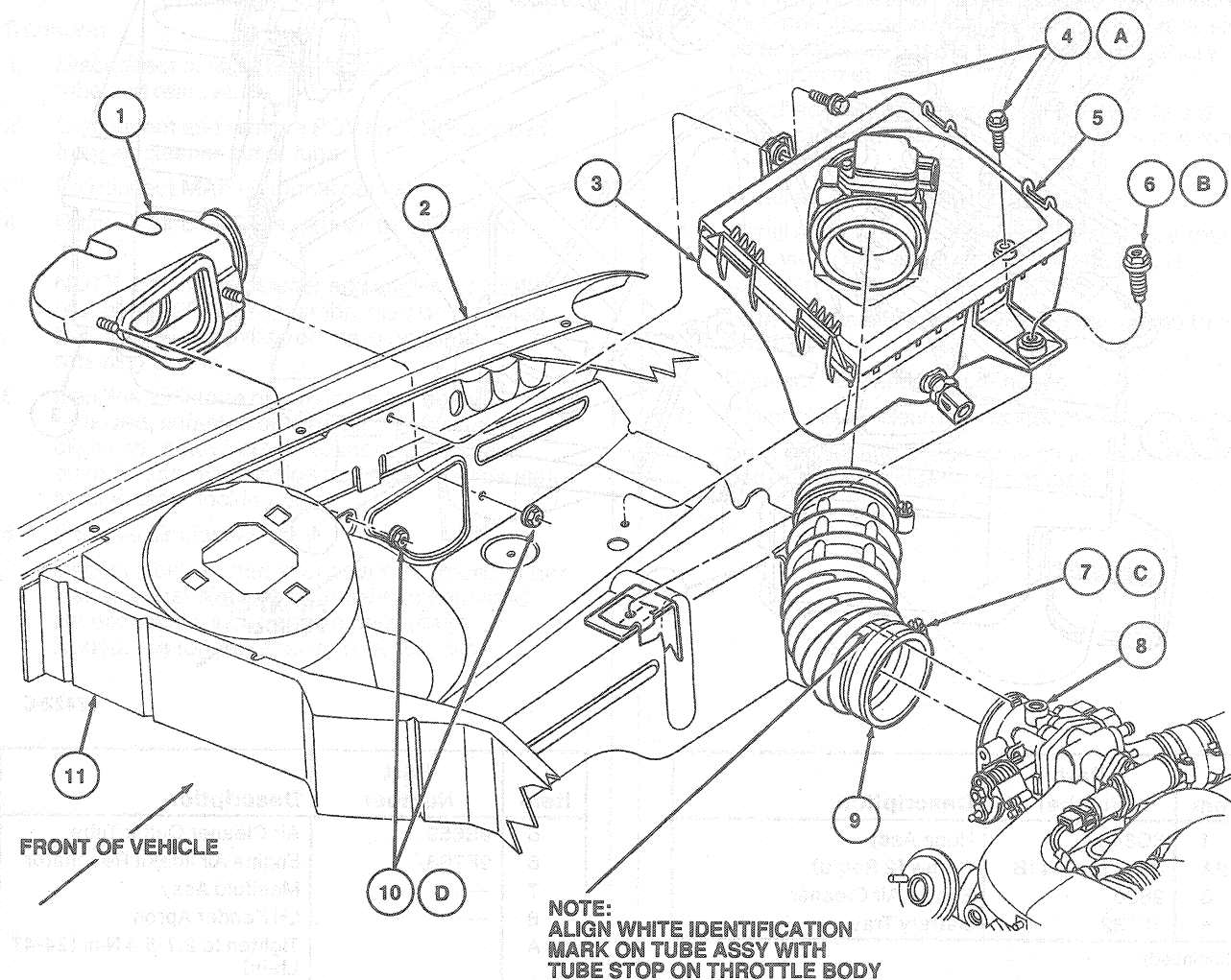
REMOVAL AND INSTALLATION (Continued)

3. Install screw through rubber grommet (metal side up) into J-clip in battery tray.
4. Connect electrical connections to mass airflow (MAF) sensor jumper wire and intake air temperature (IAT) sensor.

3.0/3.2L SHO Engines

5. Connect air cleaner outlet tube and tighten clamp to 1.4-2.3 N·m (12-20 lb-in).

NOTE: Align white identification mark on air cleaner outlet tube assembly with tube stop on throttle body.



NOTE:
ALIGN WHITE IDENTIFICATION
MARK ON TUBE ASSY WITH
TUBE STOP ON THROTTLE BODY

V7282-C

Item	Part Number	Description
1	9F763	Engine Air Intake Resonator
2	—	LH Fender
3	9600	Engine Air Cleaner
4A	N611061-S56	Screw
5	—	Air Cleaner Cover Retainer Clip
6B	N605894-S141B	Bolt
7C	—	Clamp Assy (2 Req'd)
8	9E926	Throttle Body

(Continued)

Item	Part Number	Description
9	9B659	Air Cleaner Outlet Tube
10D	N621905-S56	Nut and Washer Assy
11	—	Cowl
A	—	Tighten to 12-18 N·m (9-13 Lb-Ft)
B	—	Tighten to 8-11 N·m (6-8 Lb-Ft)
C	—	Tighten to 1.4-2.3 N·m (12-20 Lb-in)
D	—	Tighten to 5-5.7 N·m (49-62 Lb-in)