

SPECIFICATIONS (Continued)

TORQUE SPECIFICATIONS

Description	N-m	Lb-in
Solenoid Bolt	5-10	45-89
M Terminal Nut	9-14	80-124
B Terminal Nut	9-14	80-124
Through-Bolt	5-10	45-89
Mounting Bolt	20-27	15-20 (Lb-Ft)
Brush Plate Screw	2-3	18-27

TJ4459A

SPECIAL SERVICE TOOLS

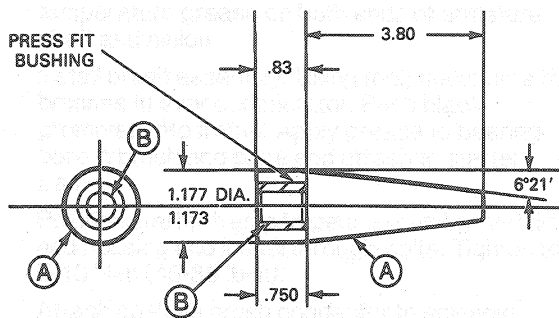
Tool Number	Description
D87L-4201-A	Dial Indicator
D87L-4201-B	Magnetic Base

ROTUNDA EQUIPMENT

Model	Description
007-00001	Digital Volt-Ohmmeter
078-00005	Starting and Charging Tester

TJ4458A

TOOL TO ASSEMBLE BRUSH HOLDER TO ARMATURE



BRUSH HOLDER ASSEMBLY

(A) MANDREL
MAT'L: MICAATA LL221
TAN-TYPE FBL

STK: 13/8 DIA. + Δ -LG
(1) REQ'D

(B) BUSHING
UNIVERSAL HEADLESS TYPE
PRESS FIT BUSHING
CAT. NO. GS-93
.471/.472 I.D. .7518 O.D. .750 LG.
(1) REQ'D

J4974-A

SPECIFICATIONS

Motor (Amps)	Current (Amps)	Current (Amps)	Current (Amps)	Current (Amps)	Current (Amps)	Current (Amps)	Current (Amps)
10.0	10.0	10.0	10.0	10.0	10.0	10.0	10.0
15.0	15.0	15.0	15.0	15.0	15.0	15.0	15.0
20.0	20.0	20.0	20.0	20.0	20.0	20.0	20.0
25.0	25.0	25.0	25.0	25.0	25.0	25.0	25.0
30.0	30.0	30.0	30.0	30.0	30.0	30.0	30.0
35.0	35.0	35.0	35.0	35.0	35.0	35.0	35.0
40.0	40.0	40.0	40.0	40.0	40.0	40.0	40.0
45.0	45.0	45.0	45.0	45.0	45.0	45.0	45.0
50.0	50.0	50.0	50.0	50.0	50.0	50.0	50.0
55.0	55.0	55.0	55.0	55.0	55.0	55.0	55.0
60.0	60.0	60.0	60.0	60.0	60.0	60.0	60.0
65.0	65.0	65.0	65.0	65.0	65.0	65.0	65.0
70.0	70.0	70.0	70.0	70.0	70.0	70.0	70.0
75.0	75.0	75.0	75.0	75.0	75.0	75.0	75.0
80.0	80.0	80.0	80.0	80.0	80.0	80.0	80.0
85.0	85.0	85.0	85.0	85.0	85.0	85.0	85.0
90.0	90.0	90.0	90.0	90.0	90.0	90.0	90.0
95.0	95.0	95.0	95.0	95.0	95.0	95.0	95.0
100.0	100.0	100.0	100.0	100.0	100.0	100.0	100.0