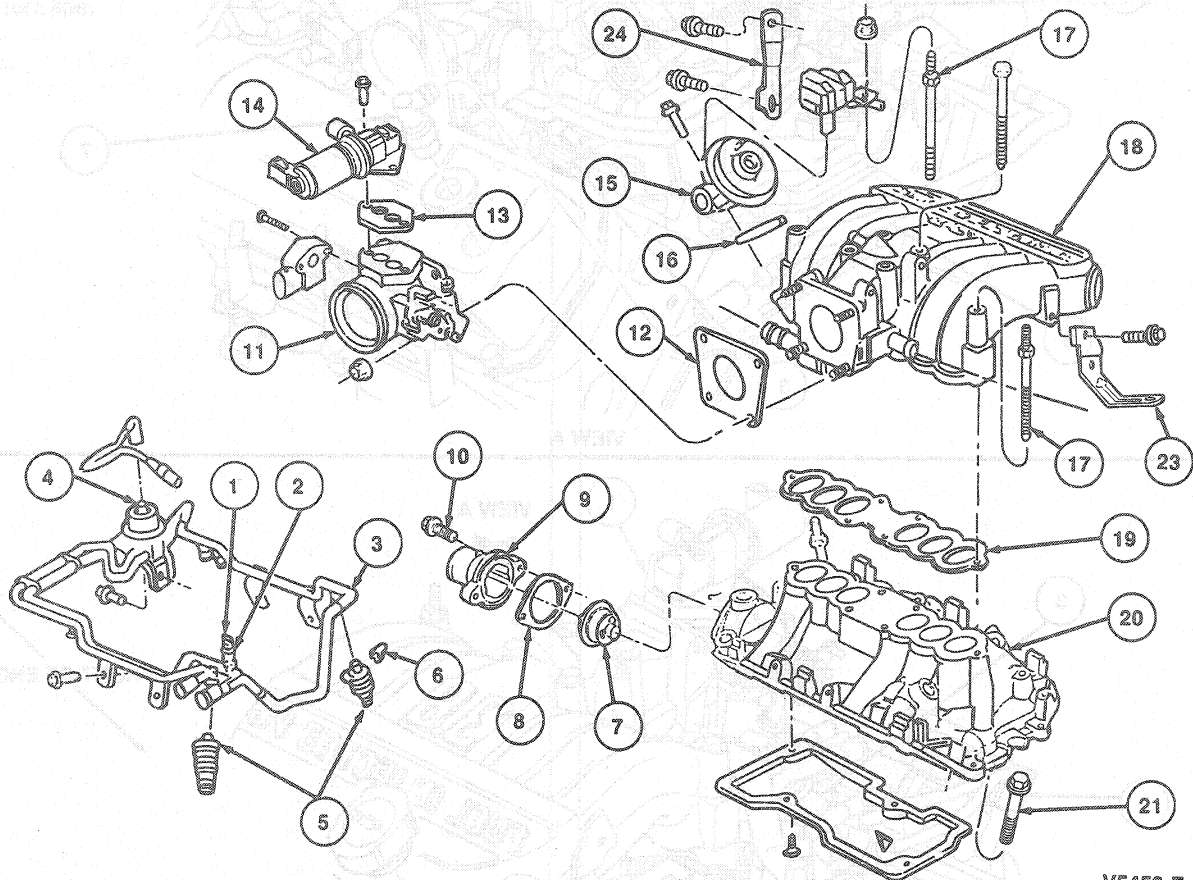


OPERATION (Continued)

Air Intake Manifold

The air intake manifold (9424) is a two-piece (upper and lower intake manifold) aluminum casting. Runner lengths are tuned to optimize engine torque and power output. The manifold provides mounting flanges for the air throttle body assembly, fuel injection supply manifold (9F792), accelerator control bracketry and the EGR valve (9D475) and supply tube. Vacuum taps are provided to support various engine accessories.



V5450-E

Item	Part Number	Description
1	9H323	Fuel Pressure Relief Valve Cap
2	9H321	Fuel Pressure Relief Valve
3	9F792	Fuel Injection Supply Manifold
4	9C968	Fuel Pressure Regulator
5	9F593	Fuel Injector
6	247111	Retainer
7	8575	Thermostat
8	8255	Gasket
9	8594	Housing
10	N605909-S8	Bolt
11	9E926	Throttle Body
12	9E936	Air Charge Control to Intake Manifold Gasket

(Continued)

Item	Part Number	Description
13	9F670	Secondary Air Injection Bypass Valve Gasket
14	9F715	Idle Air Control Valve
15	9D475	EGR Valve
16	9D476	EGR Valve Gasket
17	245905-S2	Bolts/Stud
18	9424	Upper Intake Manifold
19	9H486	Intake Manifold Upper Gasket
20	9424	Lower Intake Manifold
21	N803674-S2	Bolt
22	9J444	Front Intake Manifold Support
23	9J444	Rear Intake Manifold Support

TV5450E