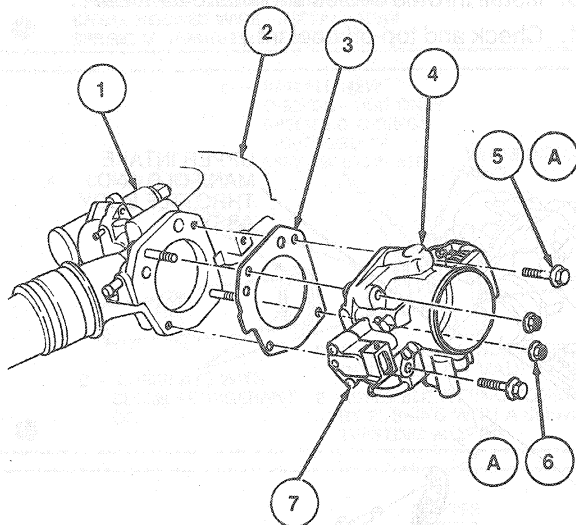


## REMOVAL AND INSTALLATION (Continued)

2. Disconnect electrical connectors at throttle position sensor and idle air control (IAC) valve.
- WARNING: COOLING SYSTEM MAY BE UNDER PRESSURE. RELEASE PRESSURE AT RADIATOR PRESSURE CAP BEFORE REMOVING HOSES.**
3. Remove coolant bypass hoses.
  4. Disconnect PCV hoses.
  5. Remove throttle body retaining bolts and nuts and remove throttle body.

**Installation**

1. Clean and inspect mounting surfaces.
2. Install new air charge control to intake manifold gasket (9E936).
3. Position throttle body and install retaining bolts and nuts. Tighten to 16-23 N·m (12-17 lb-ft).
4. Connect PCV hoses.
5. Connect coolant bypass hoses.
6. Connect electrical connectors at throttle position sensor and idle air control (IAC) valve.
7. Install throttle cables and intake air tube.



A12859-C

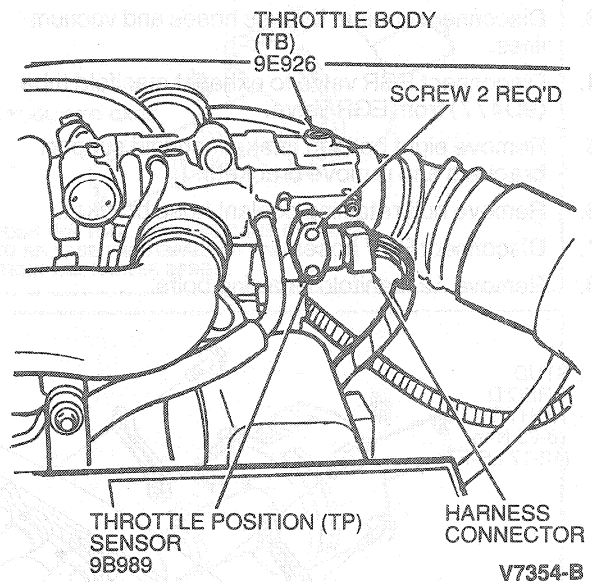
Item	Part Number	Description
1	9F715	Idle Air Control Valve
2	9424	Intake Manifold
3	9E936	Air Charge Control to Intake Manifold Gasket
4	9E926	Throttle Body Assy
5A	—	Bolt
6A	—	Nut
7	9B989	Throttle Position Sensor
A		Tighten to 16-23 N·m (12-17 Lb-Ft)

**Throttle Position Sensor****Removal**

1. Remove electrical connector from throttle position sensor.
2. Remove screws retaining sensor to throttle body and remove throttle position sensor.

**Installation**

1. Align tab on throttle shaft with slot in throttle position sensor and rotate throttle position sensor into position.
2. Install two sensor retaining screws. Tighten to 1.6-1.8 N·m (14-16 lb-in).
3. Connect electrical connector to throttle position sensor.

**Idle Air Control (IAC) Valve Assembly****Removal**

1. Disconnect electrical connector at idle air control (IAC) valve.
- NOTE:** Remove top screw first and swing valve up to provide clearance to remove lower screw.
2. Remove mounting screws and remove idle air control (IAC) valve.

**Installation**

1. Inspect gaskets for damage and replace if necessary.
2. Position idle air control (IAC) valve and install screws. Tighten screws to 7.1-11 N·m (63-97 lb-in).
3. Connect electrical connection at valve.