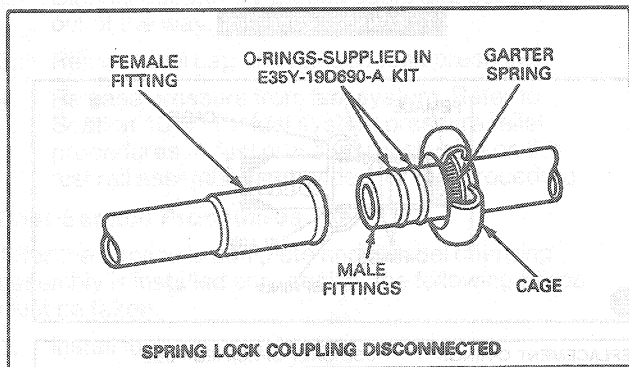
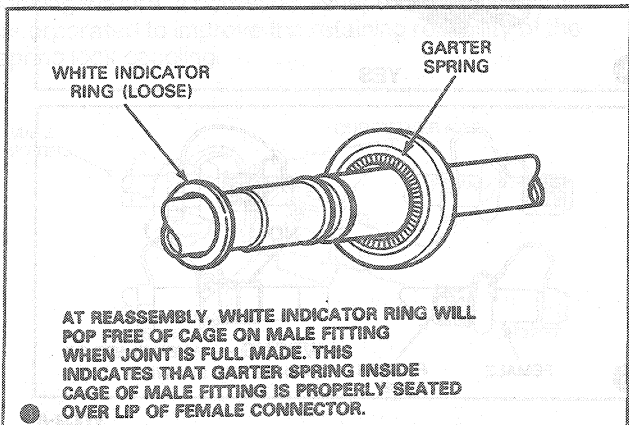
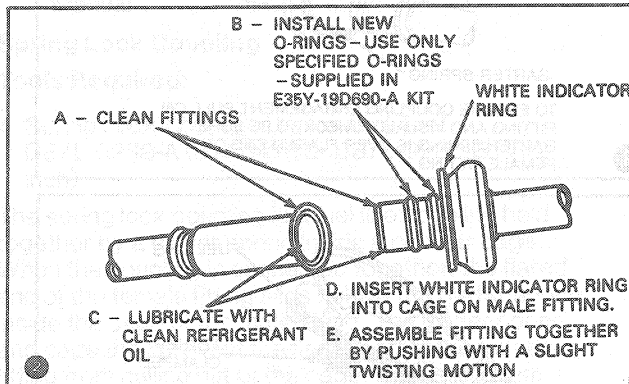
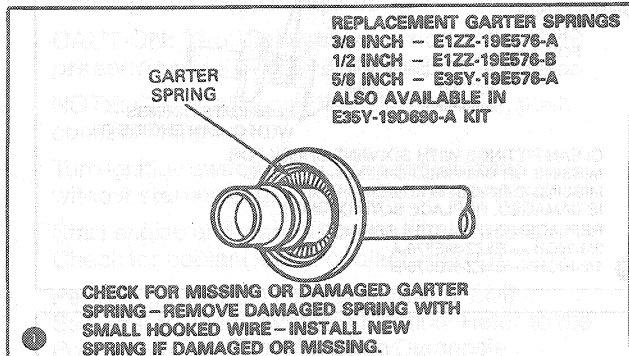


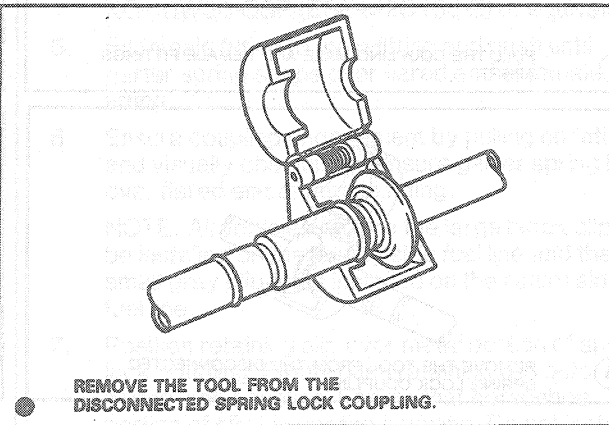
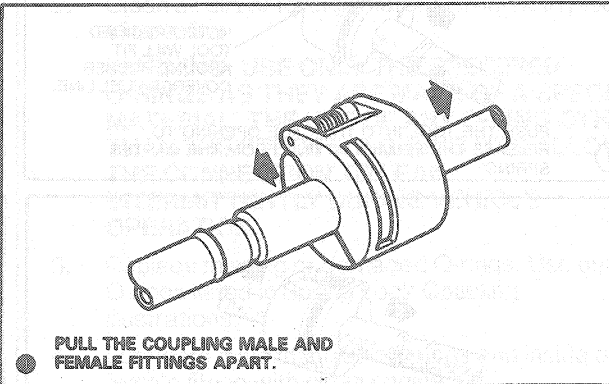
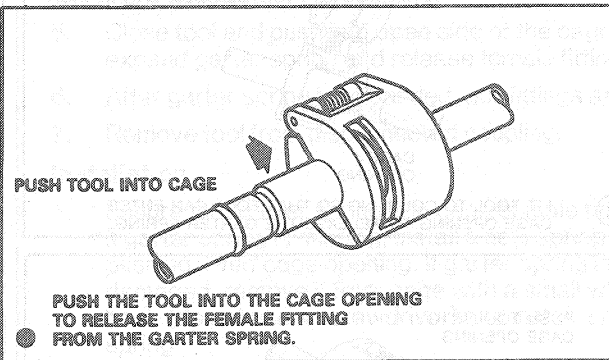
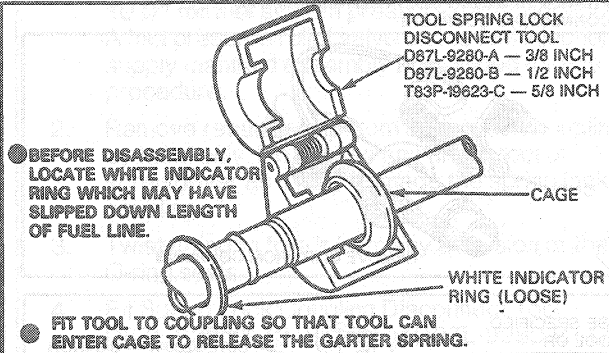
REMOVAL AND INSTALLATION (Continued)



TO CONNECT COUPLING



TO DISCONNECT COUPLING  
CAUTION - DISCHARGE SYSTEM BEFORE DISCONNECTING COUPLING



K6616-D