

COMPONENTS (Continued)

Throttle Body Assembly

The throttle body assembly controls airflow to the engine via a butterfly-type valve. The throttle position is controlled by a single lever and cable linkage. The body is a single-piece die casting made of aluminum. It has a single bore with an idle air control (IAC) channel around the throttle valve. This bypass channel controls both cold and warm engine idle airflow control as regulated by an idle air control valve assembly mounted directly to the throttle body. The valve assembly is an electro-mechanical device controlled by the powertrain control module (PCM). It incorporates a linear actuator which positions a variable area metering valve.

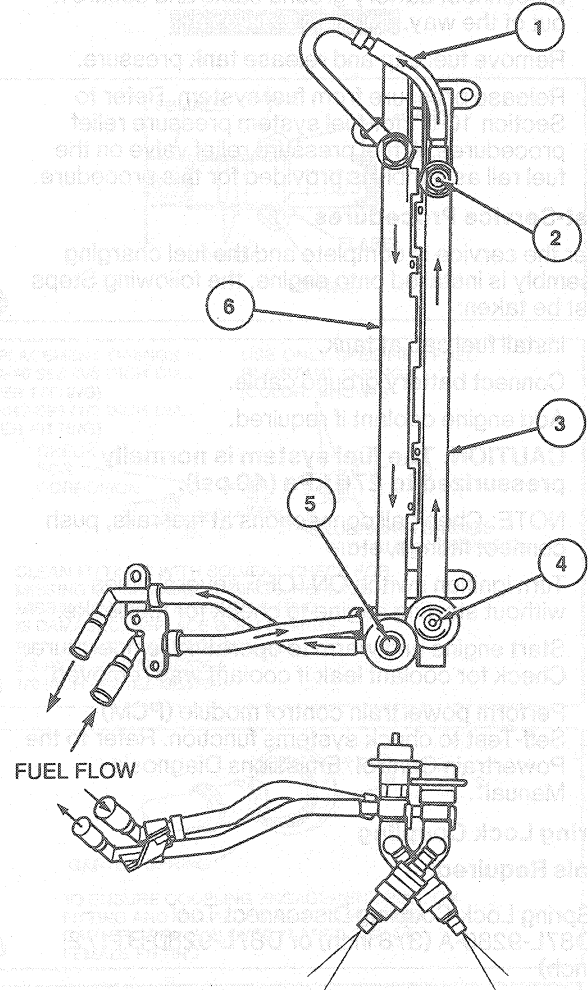
Other features of the throttle body assembly include:

1. An adjustment screw to set the throttle valve at a minimum idle airflow position with a disconnected idle air control (IAC) valve.
2. A throttle body-mounted throttle position sensor (9B989).
3. A PCV fresh-air source upstream of the throttle valve.
4. Two PCV orifices for air and crankcase mixture upstream of the throttle valve, and two downstream of the throttle valve.

Fuel Injection Supply Manifold Assembly

The fuel injection supply manifold assembly is the component that delivers high-pressure fuel from the vehicle fuel supply line to the six fuel injector. The assembly consists of two fuel rails with injector connectors, mounting flanges for the fuel injection pulse dampener and fuel pressure regulator and mounting attachments which locate the fuel injection supply manifold assembly and provide fuel injector retention. The fuel inlet and outlet connections have push-connect (CCD) fittings.

A fuel pressure relief valve (9H321) is located on the fuel injection supply manifold assembly for diagnostic tests and field service fuel pressure bleed.



V7351-B

Item	Part Number	Description
1	—	Fuel Rail Connector
2	9H321	Fuel Pressure Relief Valve
3	—	RH Fuel Rail
4	9F775	Fuel Injection Pulse Dampener
5	9C968	Fuel Pressure Regulator
6	—	LH Fuel Rail

REMOVAL AND INSTALLATION**Fuel Charging Assembly****Throttle Body, Upper and Lower Manifolds****Pre-Service Procedures**

The fuel charging assembly consists of the throttle body, and the upper and lower intake manifolds. Prior to service or removal of the fuel charging assembly, the following Steps must be taken:

1. Open hood and install protective covers.