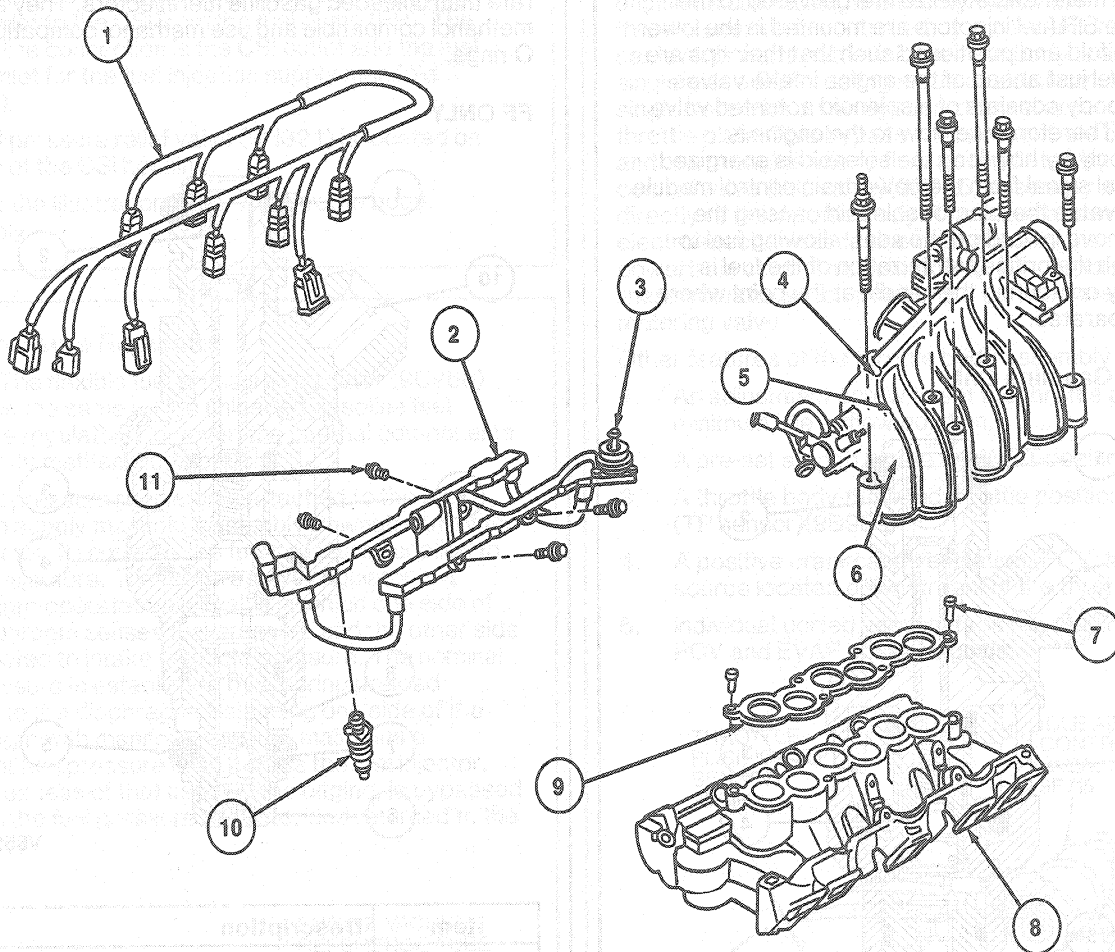


OPERATION (Continued)

FF Vehicles



A16104-A

Item	Part Number	Description
1	9D930	Fuel Charging Wiring
2	9F792	Fuel Injection Supply Manifold
3	9C968	Fuel Pressure Regulator
4	9A474	Intake Manifold Vacuum Outlet Fitting and Cap
5	9E926	Throttle Body

(Continued)

Item	Part Number	Description
6	—	Cold Start Injector
7	—	Guide Pin
8	9424	Lower Intake Manifold
9	9H486	Intake Manifold Upper Gasket
10	9F593	Fuel Injector
11	—	Screw and Washer Assy (4 Req'd)