

DESCRIPTION (Continued)

Always refer to the Master Parts List for parts usage and interchangeability before replacing a throttle body (9E926) or a component part of a throttle body.

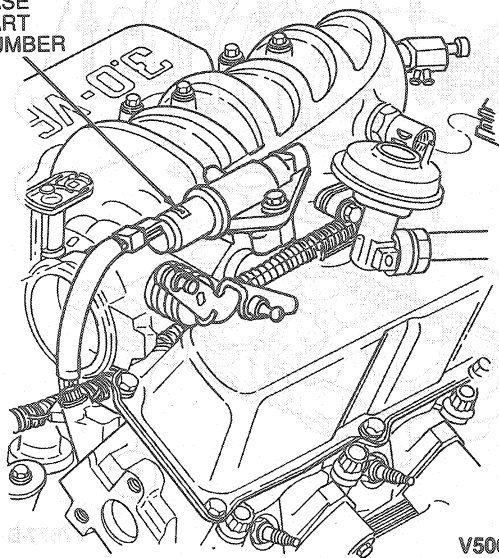
Fuel Metering Assembly Identification

The base part number of the fuel metering assembly is 9E926. The base part number on 3.0L engine is located underneath the snowshield on the solenoid end of the idle air control (IAC) valve.

The "Unleaded Fuel Only" or "Fuel Methanol or Unleaded Fuel Only" nomenclature must appear:

- Near the fuel filler opening.
- On the instrument cluster.

BASE
PART
NUMBER



V5065-D

Item	Part Number	Description
12	9E926	Fuel Metering Assembly
13	9E926	Fuel Metering Assembly
14	9E926	Fuel Metering Assembly
15	9E926	Fuel Metering Assembly
16	9E926	Fuel Metering Assembly
17	9E926	Fuel Metering Assembly
18	9E926	Fuel Metering Assembly
19	9E926	Fuel Metering Assembly

OPERATION

The SFI system can be sub-divided into four distinct categories:

- Fuel Delivery
- Air Induction
- Sensors
- Powertrain Control Module (PCM)

The fuel injectors are energized in the following sequence 1, 4, 2, 5, 3, 6. The period of time that the fuel injectors are energized (injector "on" time or the pulse width) is controlled by the vehicle's powertrain control module (PCM) 12A650. Air entering the engine is measured by a mass air flow (MAF) sensor 12B579. The resultant airflow information and input from various other engine sensors is used to compute the required fuel flow rate necessary to maintain a prescribed air / fuel ratio for the given engine operation. The PCM determines the needed fuel injector pulse width and outputs a command to the fuel injector to meter the exact quantity of fuel.

Item	Part Number	Description
1	9E926	Fuel Metering Assembly
2	9E926	Fuel Metering Assembly
3	9E926	Fuel Metering Assembly
4	9E926	Fuel Metering Assembly
5	9E926	Fuel Metering Assembly
6	9E926	Fuel Metering Assembly
7	9E926	Fuel Metering Assembly
8	9E926	Fuel Metering Assembly
9	9E926	Fuel Metering Assembly
10	9E926	Fuel Metering Assembly
11	9E926	Fuel Metering Assembly

(Continued)