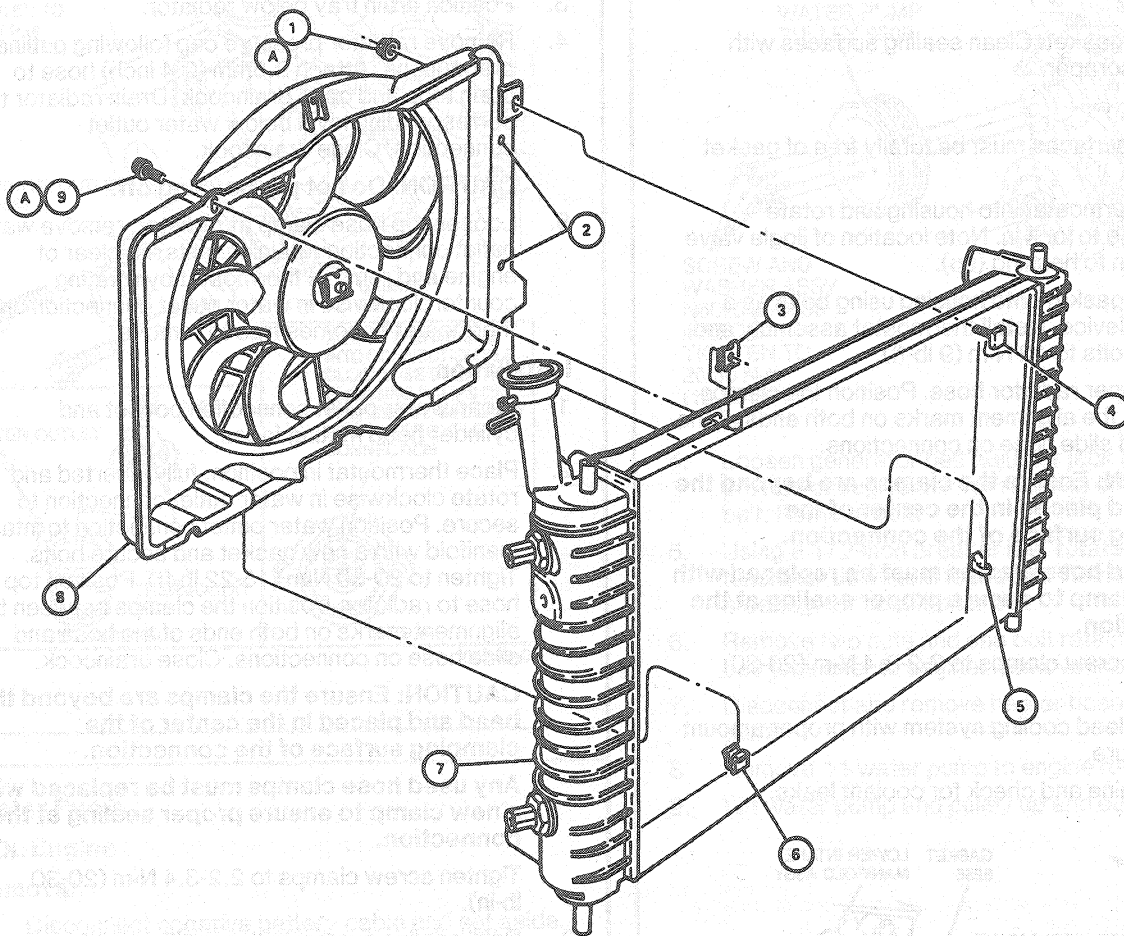


REMOVAL AND INSTALLATION (Continued)

Fan and Motor — 3.8L



ITEM	PART NO.	DESCRIPTION
1A	N802350-S2	NUT AND WASHER ASS'Y
2	-----	ENGINE WIRING HARNESS CLIP LOCATIONS
3	45256-S2	U-NUT
4	N802375-S2	BOLT
5	-----	RADIATOR TAB FOR MOUNTING SHROUD

6	-----	RADIATOR CLIP
7	8005	RADIATOR ASS'Y
8	8C607	COOLING FAN MODULE
9A	56950-S2	BOLT (4 REQ'D)
A		TIGHTEN TO 4 N m (36 Lb-in)

CCL 3783-A

**Thermostat**

For Taurus SHO, refer to Section 03-01B.

**3.0L Engine**

**Removal**

1. Drain cooling system as outlined.
2. Remove upper radiator hose from thermostat housing.