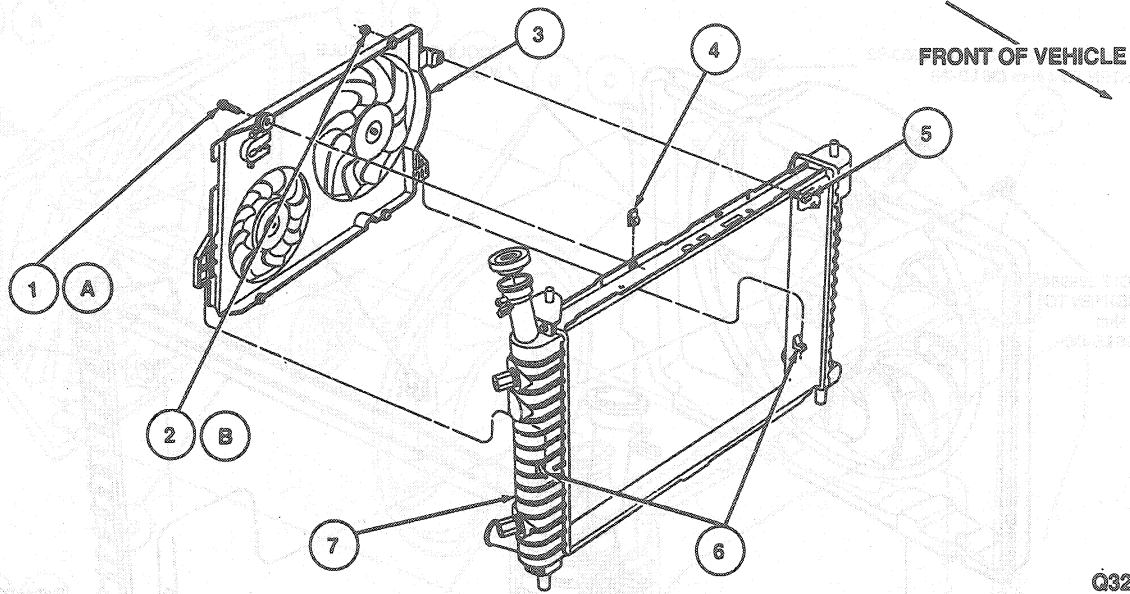


REMOVAL AND INSTALLATION (Continued)

Fan and Motors—3.2L SHO



Q3246-A

Item	Part Number	Description
1A	N807390-S2	Screw and Washer Assy
2B	N802350-S2	Nut and Washer Assy
3	8C807	Motor and Fan Assy
4	N623330-S2	Nut
5	N802375-S2	Bolt

(Continued)

Item	Part Number	Description
6	—	Radiator Tab for Mounting Shroud
7	8005	Radiator Assy
A		Tighten to 8-11.5 N-m (6-8.5 Lb-Ft)
B		Tighten to 2.5-3.5 N-m (2-2.6 Lb-Ft)

Item	Part Number	Description
1A	N807390-S2	Screw and Washer Assy
2B	N802350-S2	Nut and Washer Assy
3	8C807	Motor and Fan Assy
4	N623330-S2	Nut
5	N802375-S2	Bolt
6	—	Radiator Tab for Mounting Shroud
7	8005	Radiator Assy
A		Tighten to 8-11.5 N-m (6-8.5 Lb-Ft)
B		Tighten to 2.5-3.5 N-m (2-2.6 Lb-Ft)

(Continued)

Item	Part Number	Description
1A	N807390-S2	Screw and Washer Assy
2B	N802350-S2	Nut and Washer Assy
3	8C807	Motor and Fan Assy
4	N623330-S2	Nut
5	N802375-S2	Bolt
6	—	Radiator Tab for Mounting Shroud
7	8005	Radiator Assy
A		Tighten to 8-11.5 N-m (6-8.5 Lb-Ft)
B		Tighten to 2.5-3.5 N-m (2-2.6 Lb-Ft)