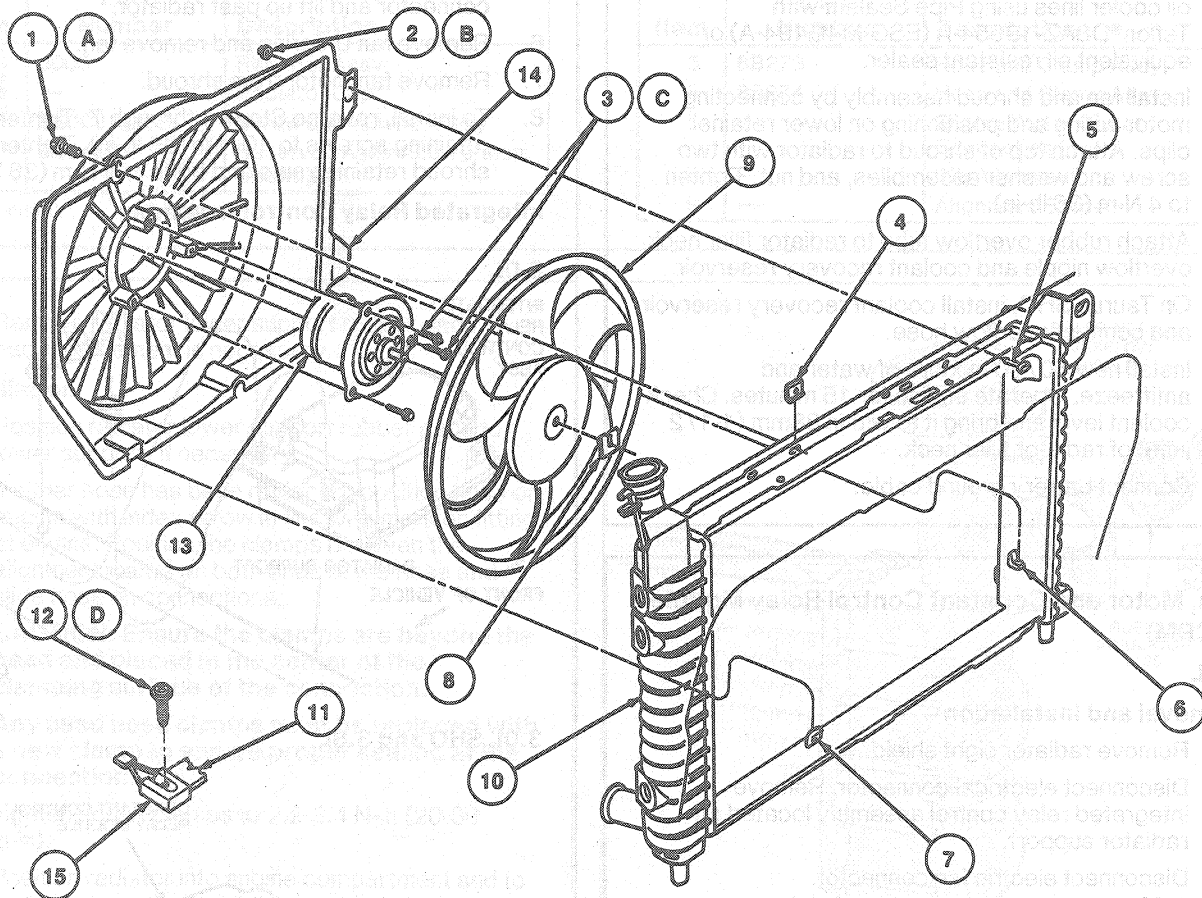


REMOVAL AND INSTALLATION (Continued)

Fan and Motor—3.0L



A8582-D

Item	Part Number	Description
1A	389984	Bolt
2B	N802330-S2	Nut and Washer Assy
3C	N804019-S36	Screw and Washer Assy
4	N803191-S2	Nut
5	N802375-S2	Bolt
6	—	Shroud Mounting Tab
7	—	Radiator Clip
8	N801025-S2	U-Spring Retainer
9	8600	Engine Cooling Fan Assy
10	8500	Radiator Assy
11	—	Bracket

(Continued)

Item	Part Number	Description
12D	W611105-S2	Screw and Washer Assy
13	8K621	Fan Motor Assy
14	8146	Fan Shroud
15	—	Cooling Fan Dropping Resistor Assy
A		Tighten to 2.6-3.7 N·m (23-33 Lb-in)
B		Tighten to 8-12 N·m (71-106 Lb-in)
C		Tighten to 11-14 N·m (97-123 Lb-in)
D		Tighten to 5.2-6.8 N·m (46-60 Lb-in)