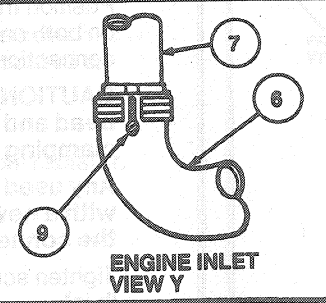
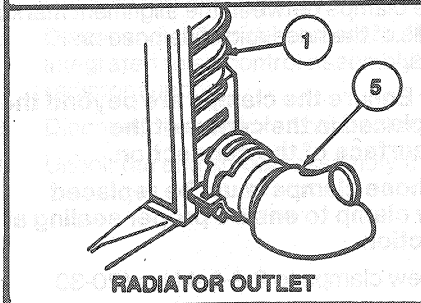
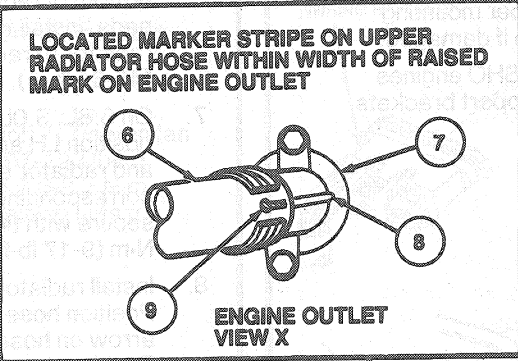
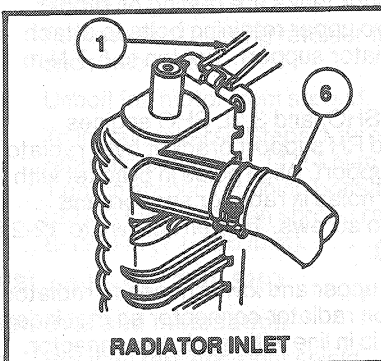
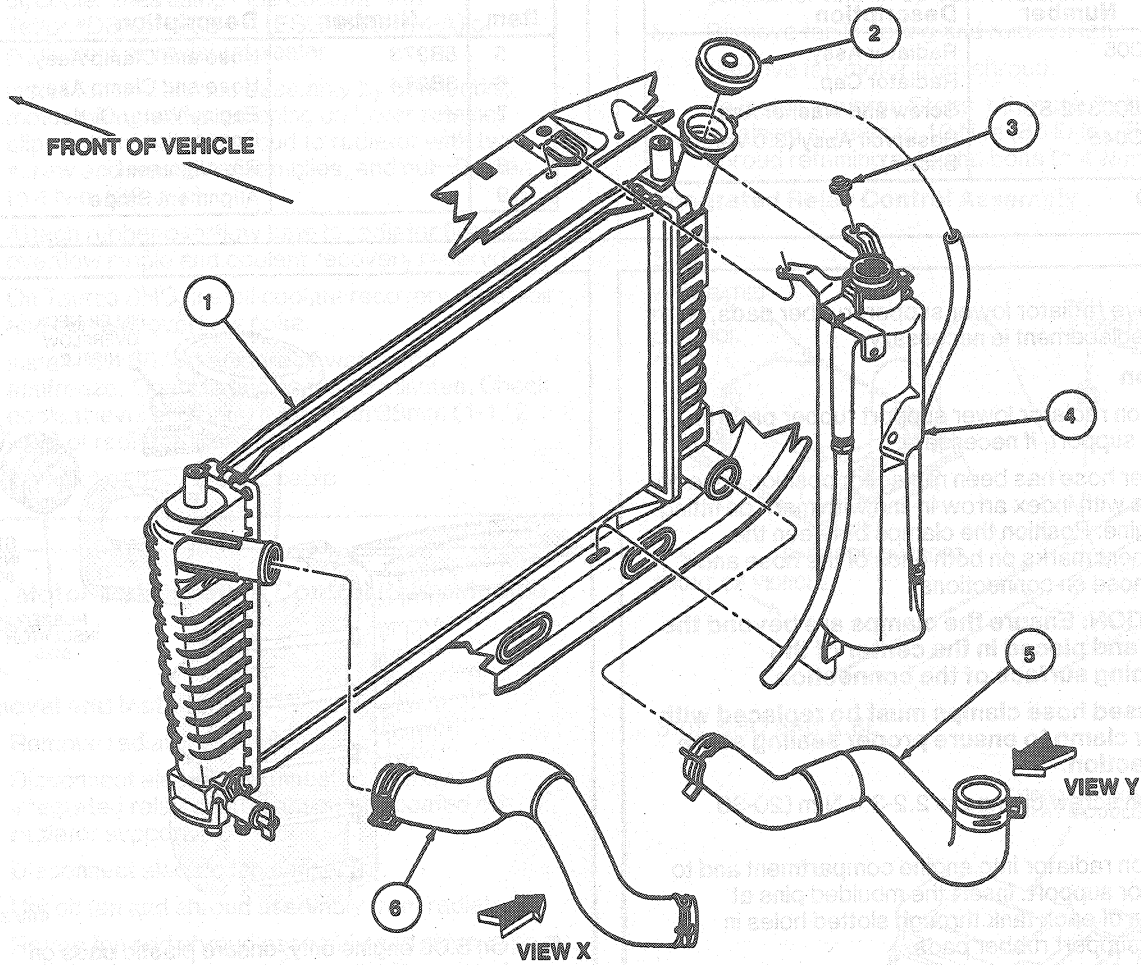


REMOVAL AND INSTALLATION (Continued)

REMOVAL AND INSTALLATION (Continued)

Taurus SHO



ALL CLAMPS MUST BE INSTALLED BETWEEN THE TWO PAINT STRIPES ON HOSES UNLESS OTHERWISE STATED.

Q2518-C