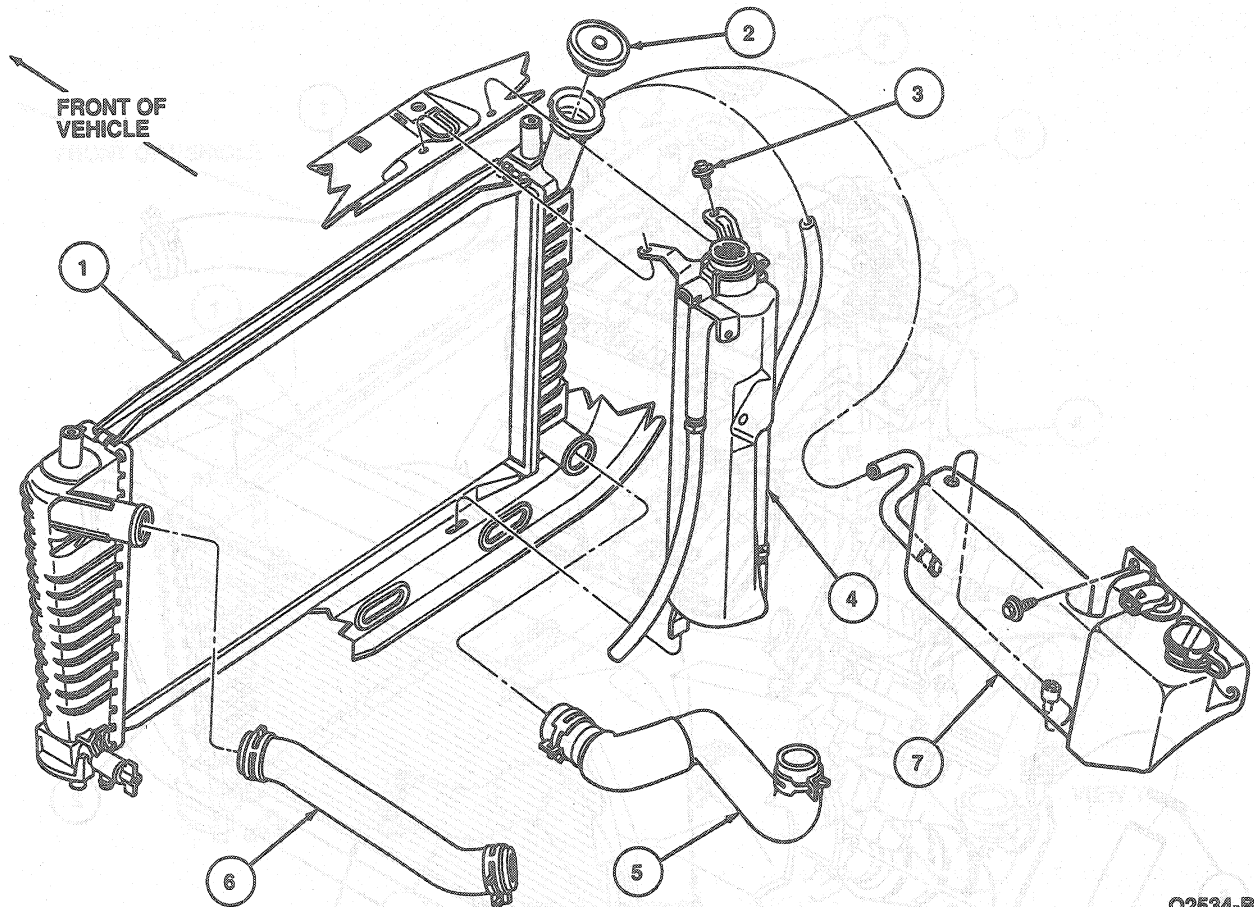


## REMOVAL AND INSTALLATION (Continued)

Taurus SHO 3.0L/3.2L



Q2534-B

Item	Part Number	Description
1	8005	Radiator Assy
2	—	Radiator Cap Assy
3	N80312-S2	Screw and Washer Assy

(Continued)

Item	Part Number	Description
4	8C045 (3.0L SHO)	Reservoir Assy
5	8B273	Hose and Clamp Assy
6	8B274	Hose and Clamp Assy
7	8C045 (3.2L SHO)	Reservoir Assy

3. Disconnect battery ground cable.
4. Remove two shroud upper retaining screws and lift shroud out of lower retaining clip.
5. Disconnect the electric cooling fan motor wires and remove fan and shroud assembly.
6. Loosen upper and lower hose clamps at radiator and remove hoses from radiator connectors.
7. Disconnect two automatic transmission oil cooling lines from radiator fittings.
8. On 3.0L engine remove two radiator upper retaining screws.
9. On 3.8L, 3.0L SHO, 3.2L SHO engines remove two hex nuts from RH radiator support bracket. Remove bracket.

10. On 3.8L, 3.0L SHO, 3.2L SHO engines remove two screws from LH radiator support bracket. Remove bracket.
11. Tilt radiator back (rearward) approximately 25mm (1 inch) and lift directly upward, clear of radiator support.
12. If either hose is to be replaced, loosen clamp at engine end and slip hose off connections with a twisting motion.