

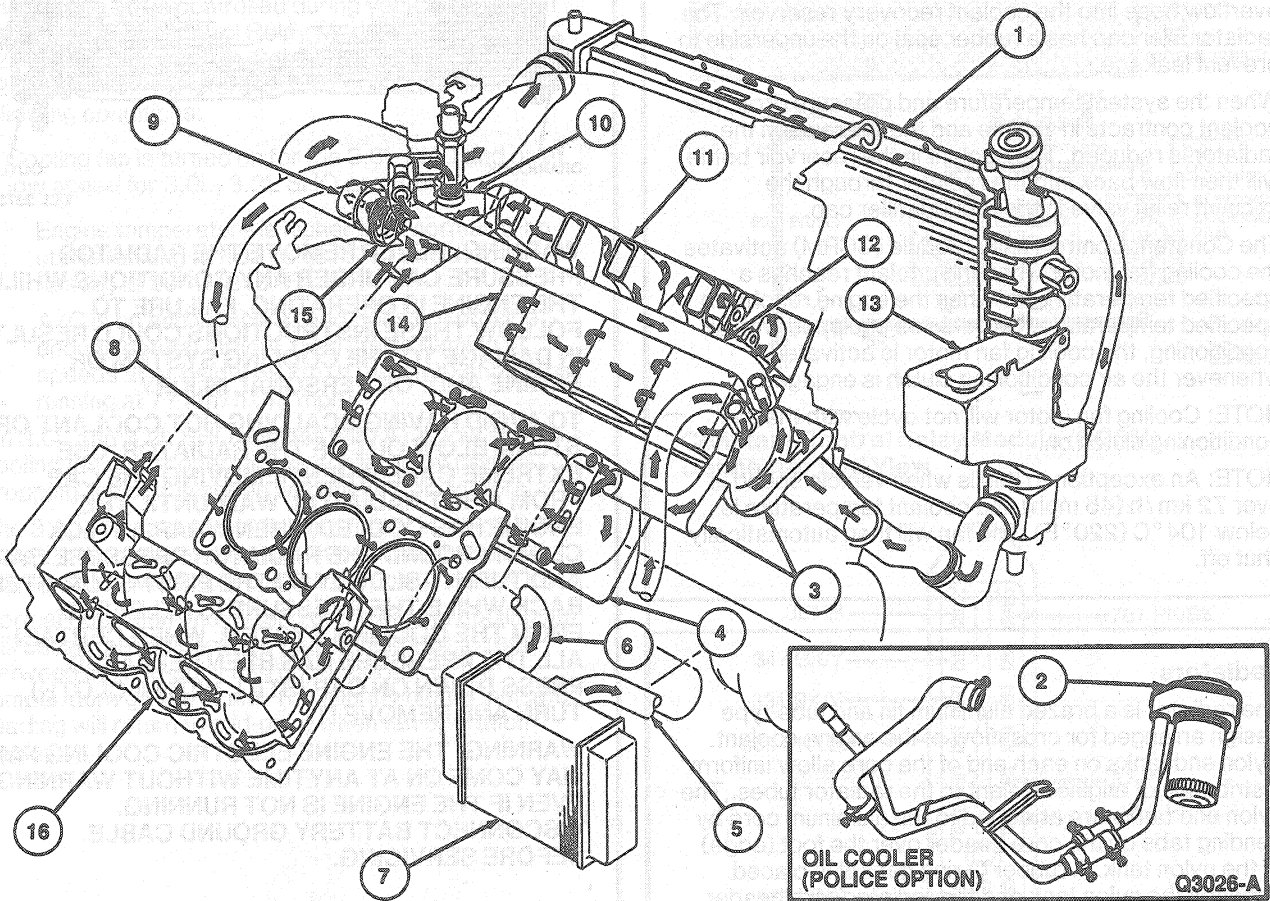
DESCRIPTION AND OPERATION (Continued)

Item	Part Number	Description
1	8005	Radiator Assy
2	—	Radiator Cap
3	N800312-S2	Screw and Washer Assy
4	8C045	Reservoir Assy (3.0 Version Shown)

(Continued)

Item	Part Number	Description
5	8B273	Hose and Clamp Assy
6	8B274	Hose and Clamp Assy
7	—	Engine Water Outlet Connection
8	—	Rib Alignment
9	—	Alignment Stripe

3.8L Engine



Item	Part Number	Description
1	8005	Radiator Assy
2	6A642	Oil Cooler
3	8501	Water Pump and Front Cover
4	6010 (RH Bank)	Cylinder Block
5	—	Heater Outlet
6	—	Heater Inlet
7	18476	Heater Core
8	6051	Cylinder Head Gasket

(Continued)

Item	Part Number	Description
9	—	Water Outlet Connector
10	—	Lower Intake Manifold Crossover / Outlet
11	6049 (LH Bank)	Cylinder Head
12	—	Engine Coolant Bypass
13	8A080	Coolant Overflow Reservoir
14	6010 (LH Bank)	Cylinder Block
15	8592	Thermostat Assy
16	6049 (RH Bank)	Cylinder Head

TQ3026B