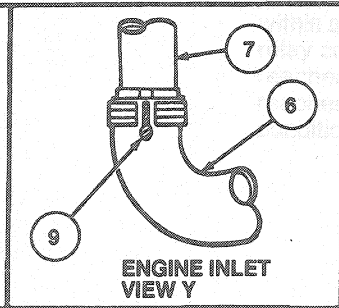
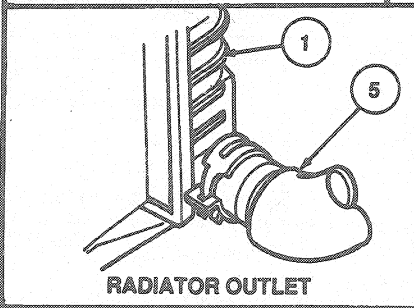
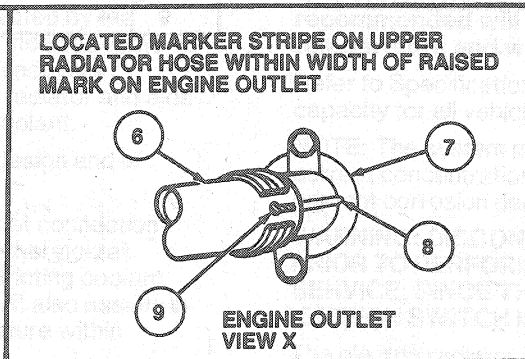
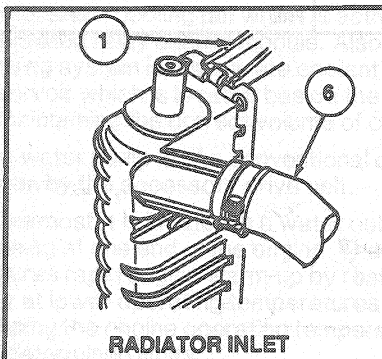
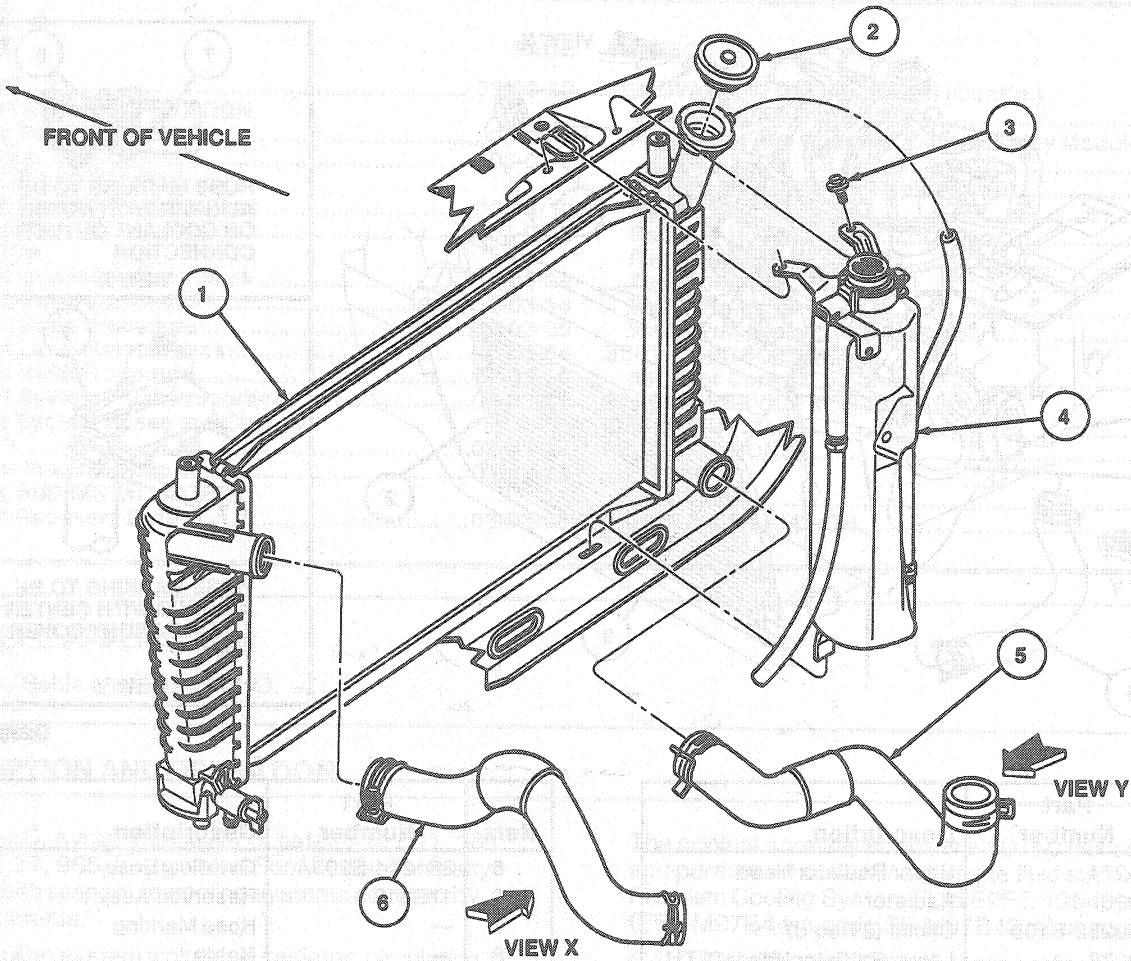


DESCRIPTION AND OPERATION (Continued)

3.0L/3.2L SHO



Q2518-C