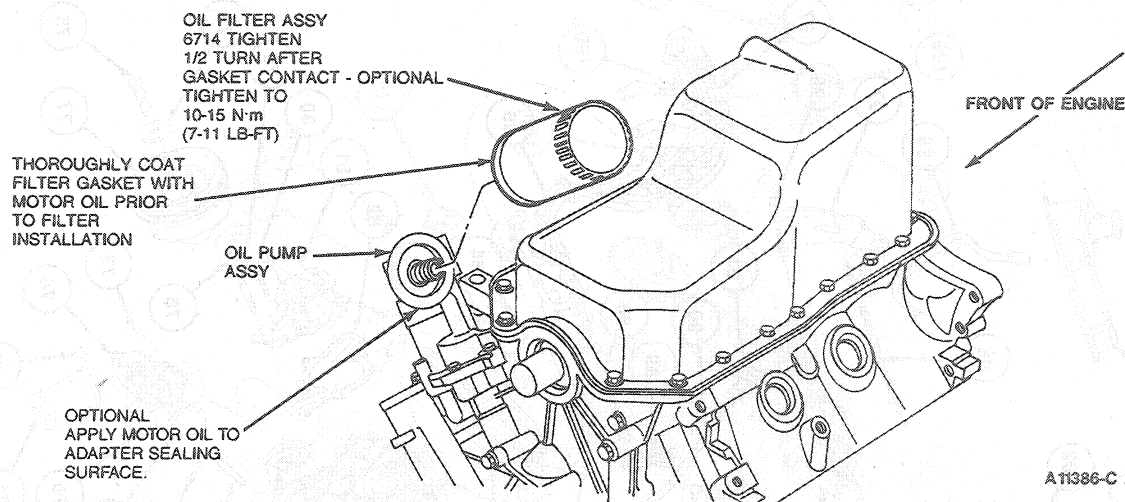


## REMOVAL AND INSTALLATION (Continued)

## 27. Install oil filter.



28. Connect oil level indicator sensor.
29. Lower vehicle.
30. Position AIR supply pump and install retaining bolts.
31. Connect vacuum pump.
32. Install AIR pump pulley.
33. Install wiring shield.
34. Install distributor rotor.
35. Install radiator coolant recovery reservoir assembly.
36. Connect upper radiator hose.
37. Install water pump pulley.
38. Connect generator-to-voltage regulator wiring assembly.
39. Connect PCM wiring assembly.
40. Connect wiring assembly ground.
41. Install accelerator cable mounting bracket.
42. Connect power steering pressure hose assembly.

43. Connect power steering line.
44. Install fan shroud.
45. Connect radiator electric motor assembly.
46. Install engine cooling fan motor relay assembly.
47. Position drive belts.
48. Position and install transaxle support assembly.
49. Install radiator upper sight shield.
50. Partially raise vehicle.
51. Install tire and wheel assemblies. Tighten wheel lug nuts to 115-142 N·m (85-105 lb-ft).
52. Install hood.
53. Connect battery ground cable.
54. Fill crankcase with the correct viscosity and amount of engine oil.
55. Refill coolant.
56. Evacuate, pressure test and recharge A/C system.
57. Start engine and check for leaks.