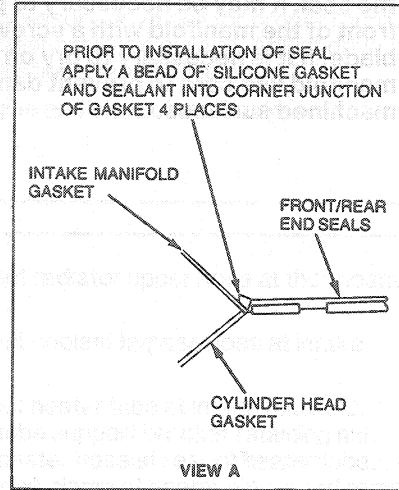
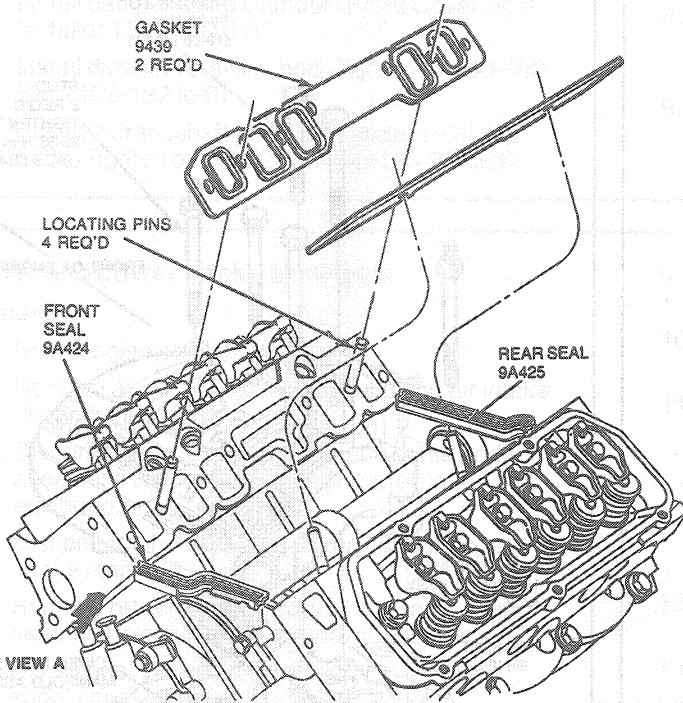


IN-VEHICLE SERVICE (Continued)

25. Remove intake manifold to cylinder head gasket (9439) and end seals, and discard.



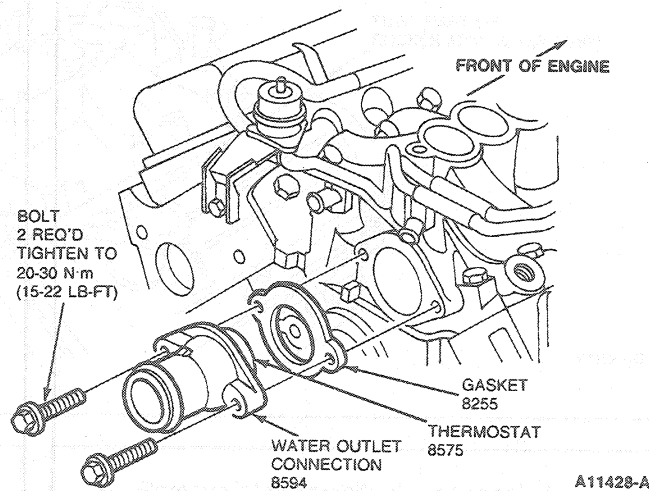
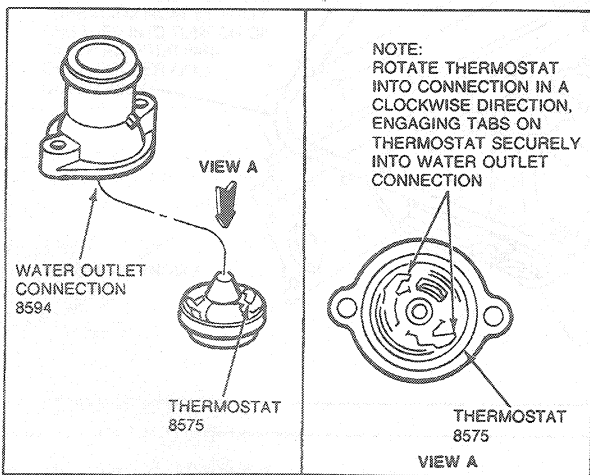
FRONT OF ENGINE

A11400-D

26. If lower intake manifold assembly is to be disassembled, perform the following:

NOTE: The water bypass tube is pressed-in, and not serviceable.

a. Remove thermostat housing and thermostat.



- b. Remove water temperature sending unit.
- c. Remove heater elbow.