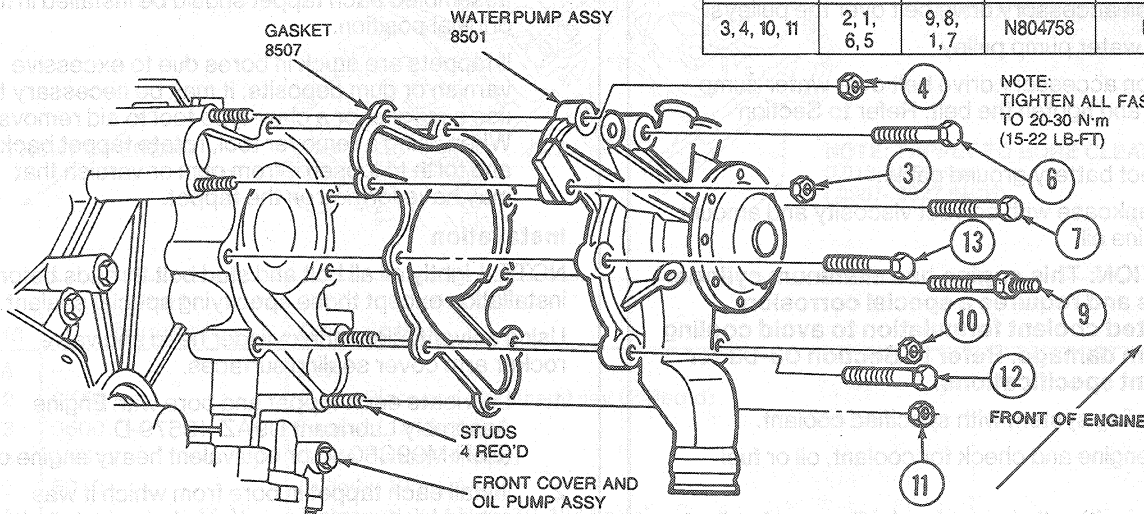
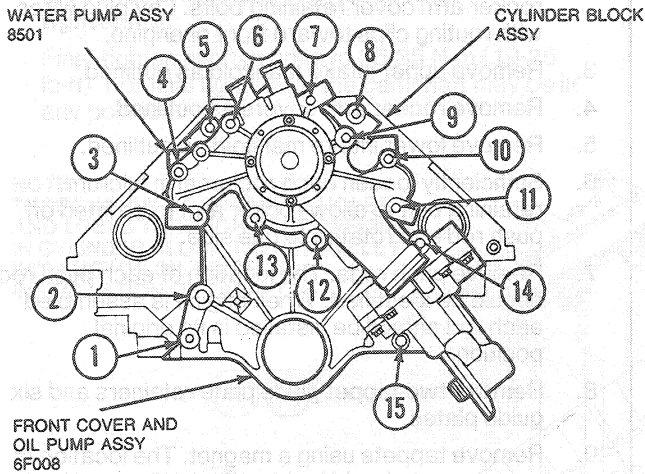


IN-VEHICLE SERVICE (Continued)

12. Install the front cover retaining bolts. Tighten to 20-30 N·m (15-22 lb-ft). Install the capscrew (Part No. N80484 1) nearest the oil filter flange last, and tighten last. Apply Loctite® or equivalent to bolt prior to installation.



| FASTENER AND HOLE NO. | HOLE NO. | | FASTENERS | |
|-----------------------|------------|-------------|-----------|-----------|
| | WATER PUMP | FRONT COVER | PART NO. | PART NAME |
| 1. | | 4 | N805112 | STUD |
| 2. | | 2 | N805112 | STUD |
| 3. | 2 | 9 | N804757 | STUD |
| 4. | 1 | 8 | N804757 | STUD |
| 5. | | 10 | N605787 | BOLT |
| 6. | 9 | 15 | N605908 | BOLT |
| 7. | 8 | 16 | N605908 | BOLT |
| 8. | | 11 | N605787 | BOLT |
| 9. | 7 | 17 | N804756 | BOLT |
| 10. | 6 | 1 | N805275 | STUD |
| 11. | 5 | 7 | N804757 | STUD |
| 12. | 4 | 13 | N605908 | BOLT |
| 13. | 3 | 14 | N605908 | BOLT |
| 14. | | 6 | N804839 | BOLT |
| 15. | | 5 | N804841 | CAP SCREW |
| 3, 4, 10, 11 | 2, 1, 6, 5 | 9, 8, 1, 7 | N804758 | NUT |

13. Raise vehicle.
 14. Install oil pan. Refer to illustration under Removal, Step 10.
 15. Connect radiator lower hose. Tighten clamp securely.
 16. Install oil filter. Refer to illustration following Removal, Step 14.

17. Coat crankshaft damper sealing surface with clean engine oil XO-10W30-QSP (ESE-M2C153-E) or equivalent.

NOTE: When using silicone rubber sealer, assembly must occur within 15 minutes after sealer application. After this time, the sealer may start to set-up, and its sealing effectiveness may be reduced.

18. Apply a small amount of Silicone Gasket and Sealant F1AZ-19562-A (WSE-M4G320-A2) or equivalent to crankshaft keyway.
 19. Position crankshaft pulley key in the crankshaft keyway.
 20. Install the damper using Damper / Front Cover Seal Installer T82L-6316-A.