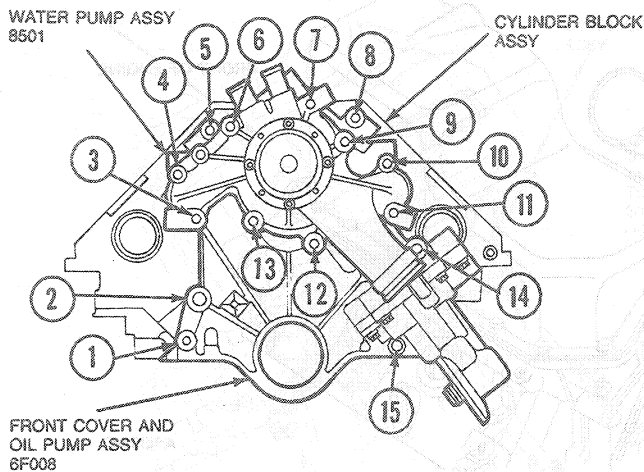


IN-VEHICLE SERVICE (Continued)

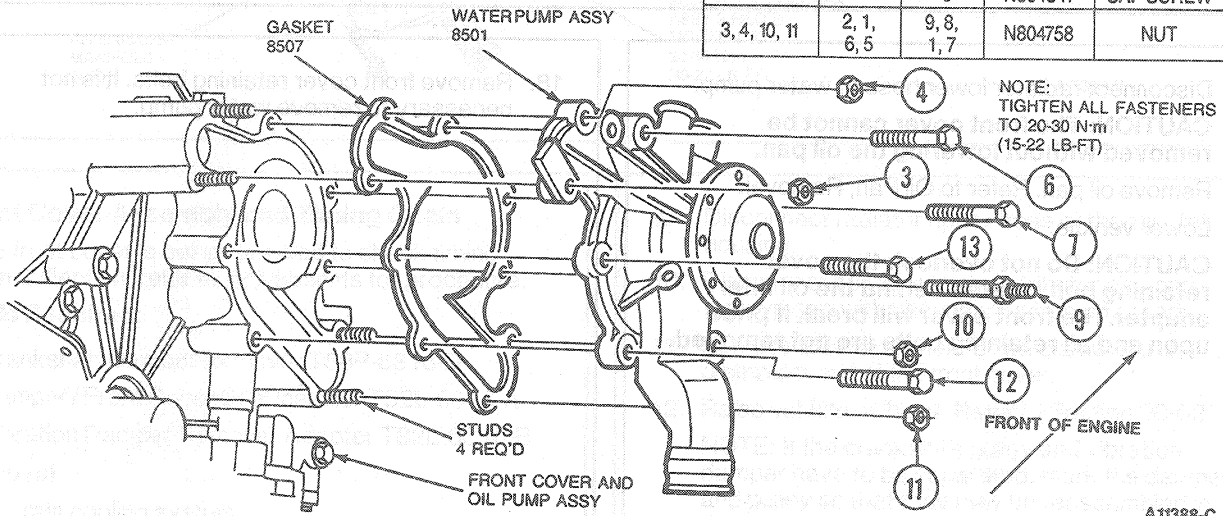
IN-VEHICLE SERVICE (Continued)

19. Remove front cover and water pump as an assembly.

19. Remove of front cover and water pump as an assembly.



FASTENER AND HOLE NO.	HOLE NO.		FASTENERS	
	WATER PUMP	FRONT COVER	PART NO.	PART NAME
1.		4	N805112	STUD
2.		2	N805112	STUD
3.	2	9	N804757	STUD
4.	1	8	N804757	STUD
5.		10	N605787	BOLT
6.	9	15	N605908	BOLT
7.	8	16	N605908	BOLT
8.		11	N605787	BOLT
9.	7	17	N804756	BOLT
10.	6	1	N805275	STUD
11.	5	7	N804757	STUD
12.	4	13	N605908	BOLT
13.	3	14	N605908	BOLT
14.		6	N804839	BOLT
15.		5	N804841	CAP SCREW
3, 4, 10, 11	2, 1, 6, 5	9, 8, 1, 7	N804758	NUT



- 20. Remove cover gasket and discard.
- 21. Remove camshaft bolt and washer from end of the camshaft.
- 22. Remove distributor drive gear.
NOTE: If crankshaft sprocket is difficult to remove, pry sprocket off shaft using a pair of large screwdrivers positioned on both sides of the sprocket.
- 23. Remove camshaft sprocket, crankshaft sprocket and timing chain.

