

IN-VEHICLE SERVICE (Continued)

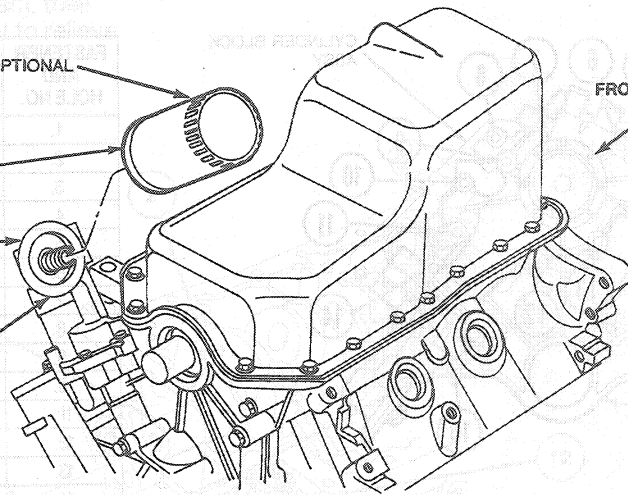
14. Remove oil filter.

OIL FILTER ASSY
 6714 TIGHTEN
 1/2 TURN AFTER
 GASKET CONTACT - OPTIONAL
 TIGHTEN TO
 10-15 N·m
 (7-11 LB-FT)

THOROUGHLY COAT
 FILTER GASKET WITH
 MOTOR OIL PRIOR
 TO FILTER
 INSTALLATION

OIL PUMP
 ASSY

OPTIONAL
 APPLY MOTOR OIL TO
 ADAPTER SEALING
 SURFACE.



FRONT OF ENGINE

A11386-C

15. Disconnect radiator lower hose at water pump.

CAUTION: The front cover cannot be removed without lowering the oil pan.

16. Remove oil pan. Refer to Oil Pan, Removal.

17. Lower vehicle.

CAUTION: Do not overlook the cover retaining bolt located behind the oil filter adapter. The front cover will break if pried upon and all retaining bolts are not removed.

18. Remove front cover retaining bolts. It is not necessary to remove water pump.

