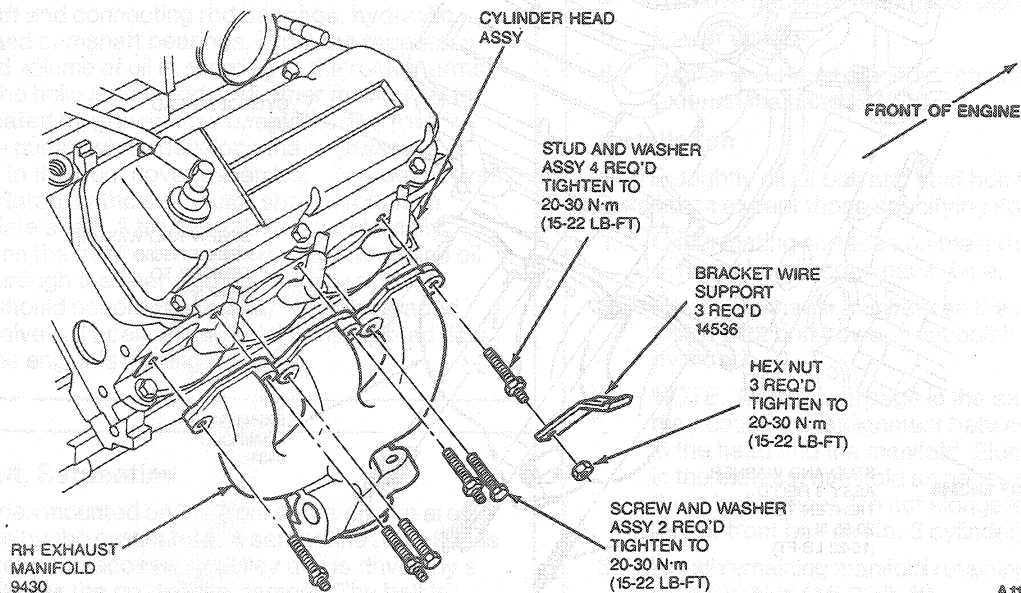


## IN-VEHICLE SERVICE (Continued)

14. Start engine and check for exhaust leaks. Check transaxle fluid level. Refer to Group 07.



### Front Cover Assembly and Timing Chain

If the front cover is being removed to check timing chain deflection, refer to Adjustments for procedure.

#### Tools Required:

- Crankshaft Damper Remover T58P-6316-D
- Damper / Front Cover Seal Installer T82L-6316-A
- Vibration Damper Remover Adapter T82L-6316-B

#### Removal

1. Drain cooling system.
2. Disconnect battery ground cable.
3. Remove air cleaner assembly and air intake duct.
4. Loosen accessory drive belt idler. Remove drive belt and water pump pulley.
5. Remove power steering pump mounting bracket retaining bolts.  
Leaving hoses connected, place pump / bracket assembly aside in a position to prevent fluid from leaking out.
6. If equipped with air conditioning, remove compressor front support bracket. Leave compressor in place.
7. Disconnect coolant bypass hose at water pump.
8. Disconnect heater hose at water pump.

9. Disconnect radiator upper hose at thermostat housing.
10. Disconnect coil wire from distributor cap and remove cap with secondary wires attached.
11. Remove distributor hold-down clamp and lift distributor out of the front cover.
12. Raise vehicle on hoist. Refer to Section 00-02.

**NOTE:** If the crankshaft pulley and vibration damper have to be separated, mark the damper and pulley so that they may be reassembled in the same relative position. This is important as the damper and pulley are initially balanced as a unit.

13. Remove crankshaft damper and pulley using Crankshaft Damper Remover T58P-6316-D and Vibration Damper Remover Adapter T82L-6316-B.

**NOTE:** If the crankshaft damper is being replaced, check if the original damper has balance pins installed. If so, new balance pins (6A328 or equivalent) must be installed on the new damper in the same position as the original damper. The crankshaft pulley (new or original) must also be installed in the same relative position as originally installed.