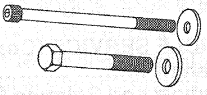
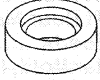
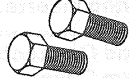
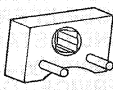
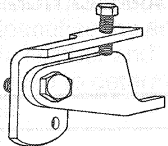


SPECIAL SERVICE TOOLS (Continued)

Tool Number/ Description	Illustration
T89P-6701-A Screw and Washer Set	 T89P-6701-A
T89P-6701-B Front Crank Seal Installer	 T89P-6701-B
T89P-6701-C Rear Seal Replacer Screw Set	 T89P-6701-C
T93P-6254-A Torque Wrench Attachment	 T93P-6254-A
T93P-6254-B Timing Belt Tensioner Tool	 T93P-6254-B

Tool Number	Description
D81L-600-A	Inch Pound Torque Wrench
D81L-4201-A	Feeler Gauge
D85L-6000-A	Strap Wrench

(Continued)

Tool Number	Description
D89L-6001-A	Engine Lifting Bracket
D89L-6135-A	Piston Pin Remover/Replacer Driver and Locator
T80L-630-3	Step Plate Adapter

ROTUNDA EQUIPMENT

Model	Description
014-00210	Hi-Lift Jack
014-00282	Dial Indicator With Bracketry
014-00290	Piston Ring Compressor
014-00292	Cylinder Ridge Reamer
014-00750	3 Bar Engine Support Kit
021-0028A	Offset Belt Tension Gauge

PARTS CROSS-REFERENCE

Base Part #	Part Name	Old Part Name
9424	Intake Manifold	
9430	Exhaust Manifold	
9431	Exhaust Manifold	
9600	Engine Air Cleaner	
9B989	Throttle Position Sensor	Throttle Potentiometer
9D475	EGR Valve	
9D477	EGR Valve to Exhaust Manifold Tube	
9E926	Throttle Body	
9E936	Air Charge Control to Intake Manifold Gasket	
9F472	Heated Oxygen Sensor	Exhaust Gas Oxygen Sensor