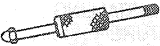

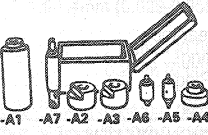
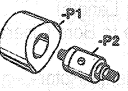
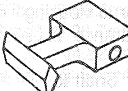
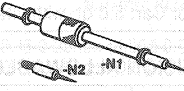
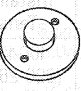
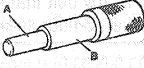
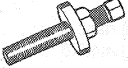
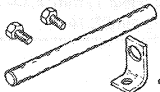
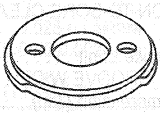
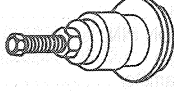
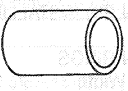
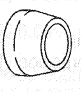
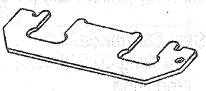
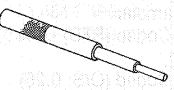
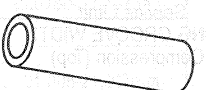

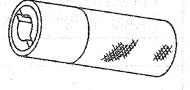
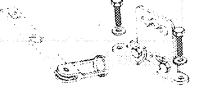


SPECIAL SERVICE TOOLS

Tool Number/ Description	Illustration
T59L-100-B Impact Slide Hammer	 T59L-100-B
T67L-3600-A Puller	 T67L-3600-A
T68P-6135-A1 Piston Pin Remover / Replacer	 -A1 -A7 -A2 -A3 -A6 -A5 -A4 T68P-6135-A
T71P-6135-P1 Piston Pin Remover / Replacer Sleeve	 -P1 -P2 T71P-6135-P
T74P-6375-A Flywheel Holding Tool	 T74P-6375-A
T78P-3504-N Locknut Pin Remover	 -N2 -N1 T78P-3504-N
T81P-6701-A Rear Crankshaft Seal Replacer	 T81P-6701-A
T81P-7550-A Clutch Aligner	 A B T81P-7550-A
T82L-6316-A Vibration Damper and Seal Installer	 T82L-6316-A
T87C-6565-A Pivot Bar and Stand	 T87C-6565-A

(Continued)

Tool Number/ Description	Illustration
T88C-6701-BH Rear Crankshaft Seal Replacer	 T88C-6701-BH
T88T-6701-A Crankshaft Seal Installer / Cover Aligner Tool Set— Consists of: T88T-6701-A2 Crankshaft Seal Installer / Cover Aligner Plate	 T88T-6701-A
T89P-6256-A Cam Seal Replacer	 T89P-6256-A
T89P-6256-B Cam Seal Expander	 T89P-6256-B
T89P-6256-C Cam Position Tool	 T89P-6256-C
T89P-6510-A Valve Guide Remover / Replacer	 T89P-6510-A
T89P-6510-B Valve Guide Replacer	 T89P-6510-B
T89P-6510-C Valve Stem Seal Replacer	 T89P-6510-C
T89P-6510-D Valve Stem Seal Remover	 T89P-6510-D
T89P-6565-A Valve Spring Compressor Set	 T89P-6565-A

(Continued)