

DISASSEMBLY AND ASSEMBLY (Continued)

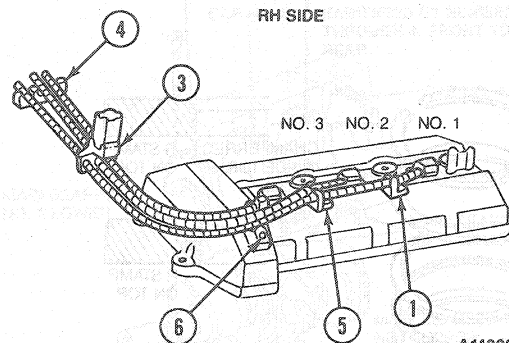
7. Install engine oil pan retaining bolts. Tighten to 15-23 N·m (11-17 lb-ft).
8. Connect engine oil level sensor.
9. Position cylinder heads and gaskets on block and install retaining bolts. Tighten in sequence in two steps:
 - 49-69 N·m (36-51 lb-ft)
 - 83-93 N·m (62-69 lb-ft)
10. Connect cooler hose to LH cylinder head.
11. Install oil indicator tube.
12. Install cylinder head covers and gaskets. Tighten retaining bolts to 9.8-16 N·m (7-12 lb-ft).
13. Install water outlet assembly. Tighten retaining bolts to 15-23 N·m (11-17 lb-ft).
14. Install water bypass pipe.
15. Install water pump retaining bolts. Tighten bolts to 15-23 N·m (11-17 lb-ft).
16. Install ignition coil pack bracket retaining bolts. Tighten bolts to 28-42 N·m (21-31 lb-ft).
17. Install ignition coil pack retaining screws. Tighten screws to 4.5-7 N·m (40-62 lb-in).
18. Install six injector insulators in cylinder heads.
19. Install fuel rail assembly retaining bolts. Tighten bolts to 15-23 N·m (11-17 lb-ft).
20. Connect wiring harness at fuel injectors.
21. Install center rear timing belt cover.
22. Install upper rear timing belt cover.
23. Install camshaft timing belt pulley retaining bolts. Tighten bolts to 21-25 N·m (15-18 lb-ft).
24. Install timing belt as outlined.
25. Install center timing belt cover.
26. Install lower timing belt cover.
27. Install crankshaft damper pulley.
28. Install spark plugs. Tighten to 22-27 N·m (16-20 lb-ft).
29. Install spark plug connectors and ignition lead.

NOTE: Ensure connectors are located correctly in clips to prevent improper connection.

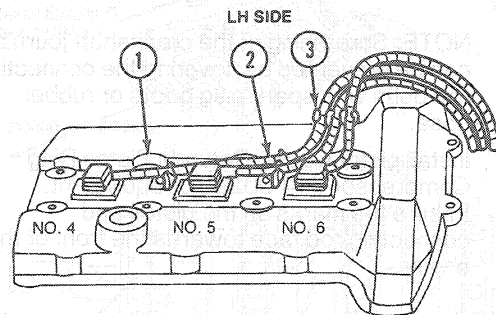
	SHAPE	PART NUMBER/ PART NAME	LOCATION OF INSTALLATION
①		CLAMP WIRE 1	CYLINDER HEAD COVER
②		CLAMP WIRE 2	CYLINDER HEAD COVER LH
③		CLAMP WIRE 3	CYLINDER HEAD COVER RH SURGE TANK RH
④		CLAMP WIRE 4	
⑤		CLAMP WIRE 5	CYLINDER HEAD COVER RH
⑥		CLAMP WIRE 6	CYLINDER HEAD COVER RH

A14891-A

- a. Install clamp to cylinder head and wires one through six.
- b. Connect plug wires onto spark plug.



A14889-A



A14890-A