

REMOVAL AND INSTALLATION (Continued)

25. Lower vehicle.
26. Fill engine with correct viscosity and amount of engine oil. Connect battery ground cable.

5. Lower vehicle.
6. Fill engine with correct viscosity and amount of engine oil. Connect battery ground cable.

Connecting Rod Bearings

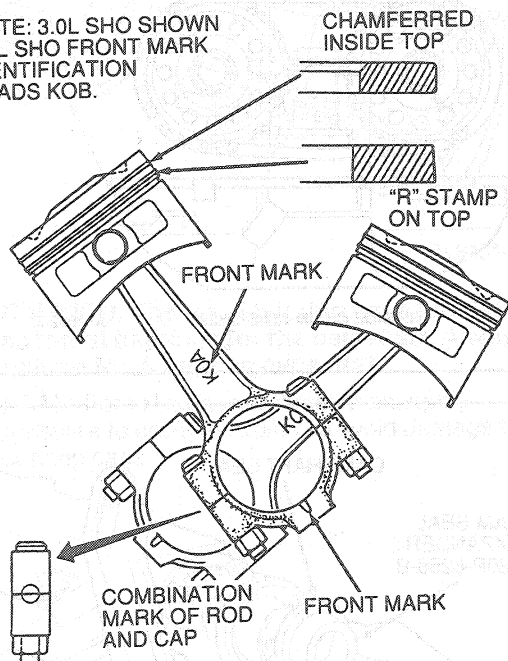
Removal

1. Disconnect battery ground cable.
2. Raise vehicle on hoist. Refer to Section 00-02.
3. Remove oil pan as outlined.
4. Remove connecting rod cap nuts and rod bearing caps. Note order in which they were removed for installation.
5. Remove rod bearings.

Installation

1. Coat new bearing with Engine Assembly Lubricant D9AZ-19579-D (ESR-M99C80-A) or equivalent, and install shell halves in connecting rod and bearing caps.
2. Install bearing caps to connecting rod. Ensure combination marks are correct. Install caps in order they were removed.

NOTE: 3.0L SHO SHOWN
3.2L SHO FRONT MARK
IDENTIFICATION
READS KOB.



3. Install connecting rod cap nuts. Tighten nuts using two step method. Tighten to 30-35 N·m (22-26 lb-ft), then to 45-50 N·m (33-37 lb-ft).
4. Install oil pan as outlined.

Camshaft

Tools Required:

- Cam Seal Replacer T89P-6256-A
- Cam Seal Expander T89P-6256-B
- Cam Position Tool T89P-6256-C

Removal

1. Set engine to TDC on No. 1 cylinder.
 2. Remove intake manifold assembly as outlined.
 3. Remove timing belt and cover as outlined.
 4. Remove cylinder head cover(s).
 5. Remove camshaft pulley(s). Note location of dowel pin(s).
 6. Remove upper rear timing belt cover.
- CAUTION: If camshaft bearing caps are not uniformly loosened, camshaft damage may result.**
7. Uniformly loosen camshaft bearing caps.
 8. Remove bearing caps. Note position for installation.
 9. Remove camshaft chain tensioner mounting bolts.
 10. Remove camshafts together with chain and tensioner.
 11. Discard camshaft oil seal.
 12. Remove chain sprocket from camshaft.

Installation

1. Align timing marks on chain sprocket(s) with camshaft and install sprocket(s). Tighten retaining bolts to 14-18 N·m (10-13 lb-ft).

