

REMOVAL AND INSTALLATION (Continued)

Item	Part Number	Description
6A	90179-15574	Nut
7	9B989	Throttle Position Sensor
A		Tighten to 16-23 N·m (12-16 Lb-Ft)

- Remove two throttle body retaining bolts and nuts.
- To install, reverse Removal procedure. Replace air charge control to intake manifold gasket (9E936) if necessary. Tighten nuts and bolts to 16-23 N·m (12-17 lb-ft).
- Top off coolant.

Timing Belt

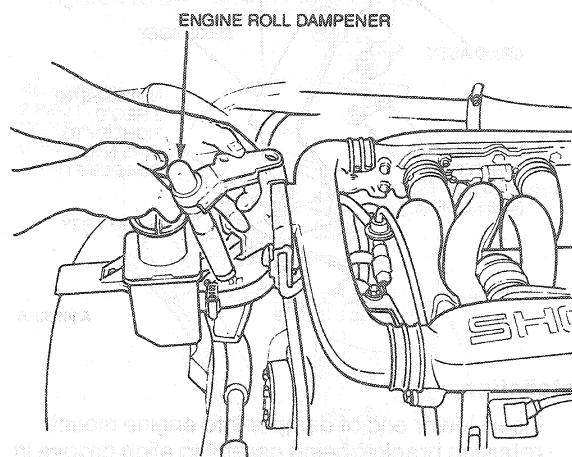
3.0L SHO

Tools Required:

- Puller T67L-3600-A
- Vibration Damper and Seal Installer T82L-6316-A
- Crankshaft Seal Installer / Cover Aligner T88L-6701-A
- Screw and Washer Set T89P-6701-A
- Step Plate Adapter D80L-630-3
- Rotunda Offset Belt Tension Gauge 021-0028A

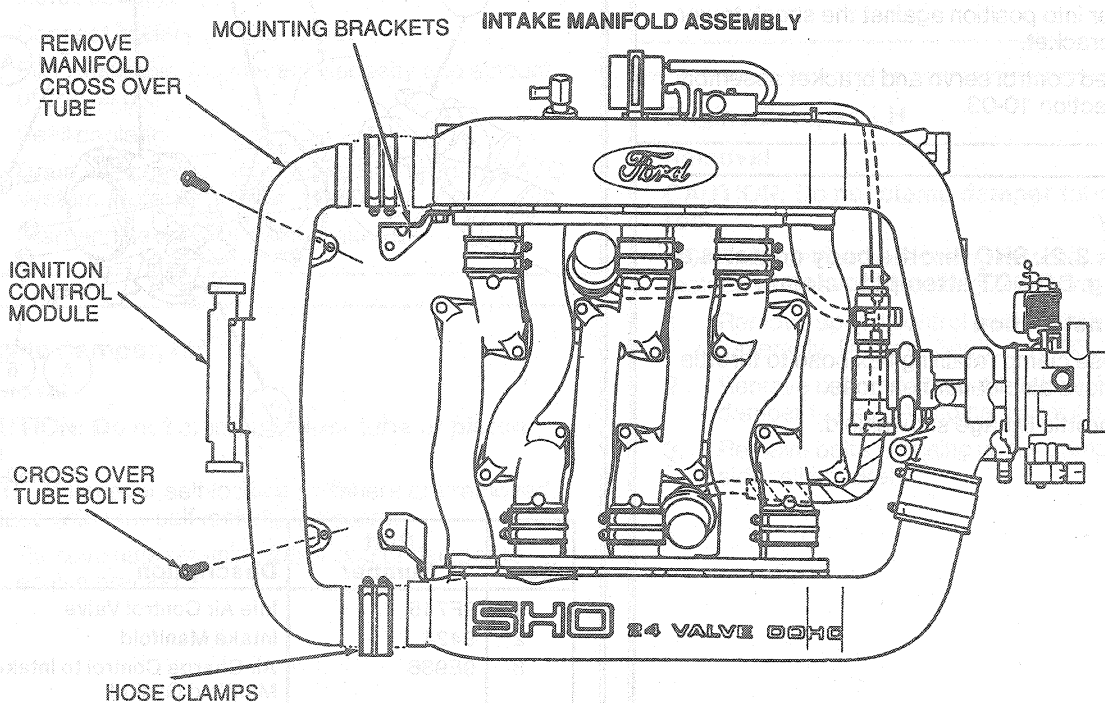
Removal

- Disconnect battery cables.
- Remove battery.
- Remove RH engine roll damper as outlined.



A12804-A

- Disconnect wiring to ignition control module (ICM).
- Remove intake manifold crossover tube bolts.



A12903-C