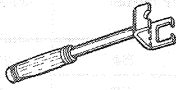
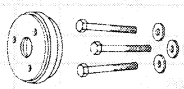


SPECIAL SERVICE TOOLS (Continued)

Tool Number	Description
T82L-6500-A Tappet Collapser	 T82L-6500-A
T88L-6701-A Crankshaft Rear Seal Installer	 T88L-6701-A

Tool Number	Description
D81L-600-A	Lb-In Torque Wrench
D81L-600-B	Lb-Ft Torque Wrench
D81L-4201-A	Feeler Gauge
D81L-6001-D	Engine Lifting Eyes
D88L-6000-A	Three Bar Engine Support
TOOL-6331-E	Bearing Insert Remover / Replacer
TOOL-6500-E	Hydraulic Leakdown Tester
TOOL-6513-DD	Valve / Clutch Spring Tester

ROTUNDA EQUIPMENT

Model	Description
014-00282	Dial Indicator with Bracketry
014-00290	Piston Ring Compressor
014-00292	Cylinder Ridge Reamer
107-00901	Taperset Installation Kit

PARTS CROSS-REFERENCE

Base Part #	Part Name	Old Part Name
9424	Intake Manifold	
9430	Exhaust Manifold	
9431	Exhaust Manifold	
9600	Engine Air Cleaner	
9A474	Intake Manifold Vacuum Outlet Fitting and Cap	
9B659	Air Cleaner Outlet Tube	
9D477	EGR Valve to Exhaust Manifold Tube	
9D930	Fuel Charging Wiring	
9F485	EGR Valve Tube to Manifold Connector	
9H486	Intake Manifold Upper Gasket	