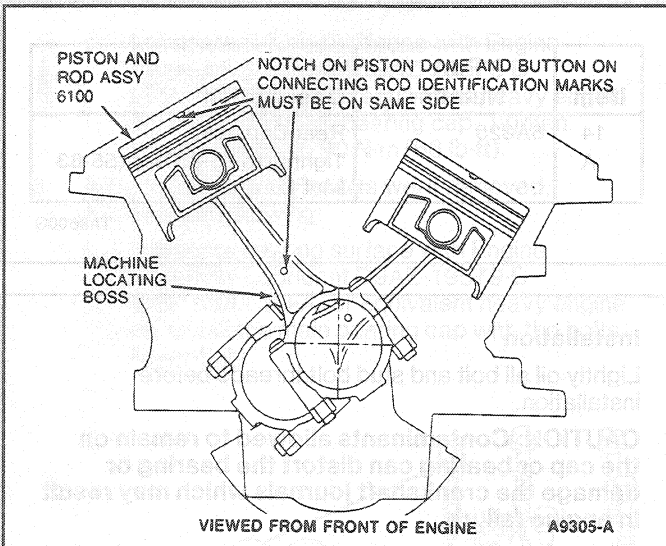
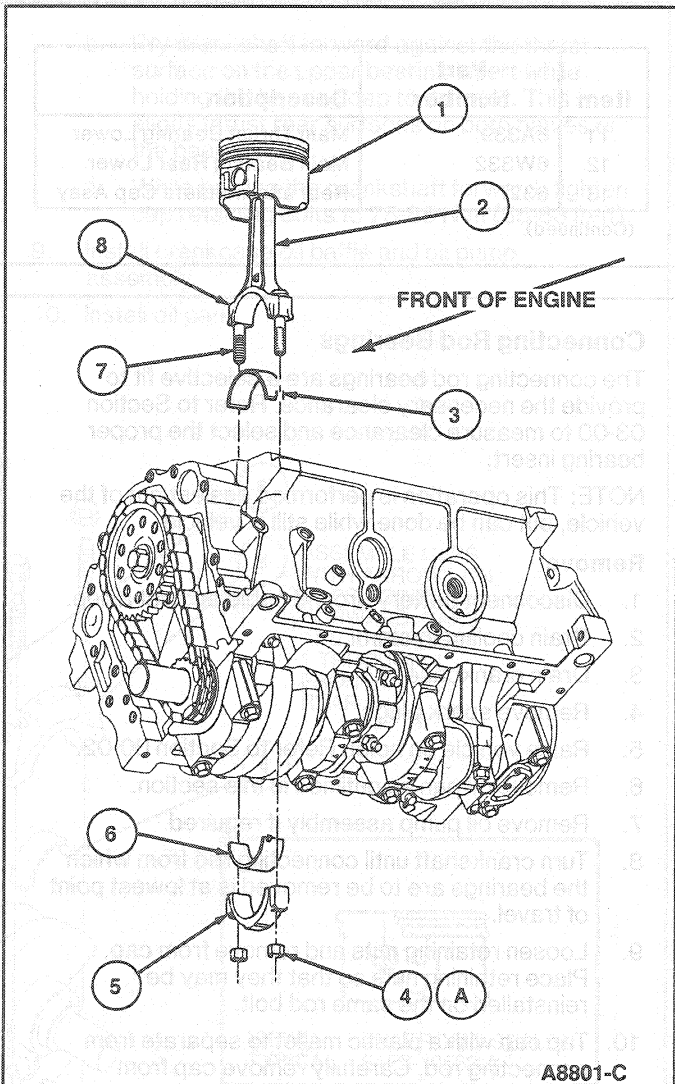


IN-VEHICLE SERVICE (Continued)



7. Install oil pump assembly if removed. Align intermediate shaft with distributor shaft, then align pump with dowels and install retaining bolt. Tighten to 48 N·m (35 lb-ft).
8. Inspect and clean oil pump intake screen.



Item	Part Number	Description
1	6109	Piston and Pin Assy (6 Req'd)
2	6200	Connecting Rod (6 Req'd)
3	6211	Upper Rod Bearing (6 Req'd)
4A	6212	Nut (12 Req'd)
5	6210	Rod Cap (6 Req'd)
6	6211	Lower Rod Bearing (6 Req'd)
7	6214	Bolt (12 Req'd)
8	6100	Piston and Rod Assy (6 Req'd)
A		Tighten to 35 N·m (25 Lb-Ft)

TA8801D

9. Install oil pan as outlined in this section.
10. Lower vehicle.
11. Install spark plugs. Tighten to 7-15 N·m (5-11 lb-ft).
12. Fill crankcase with the correct viscosity and amount of engine oil.